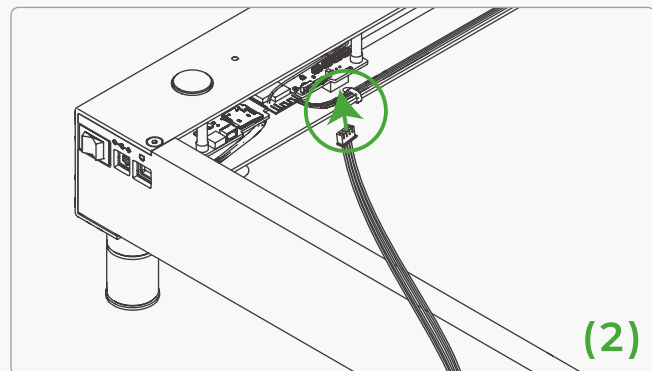
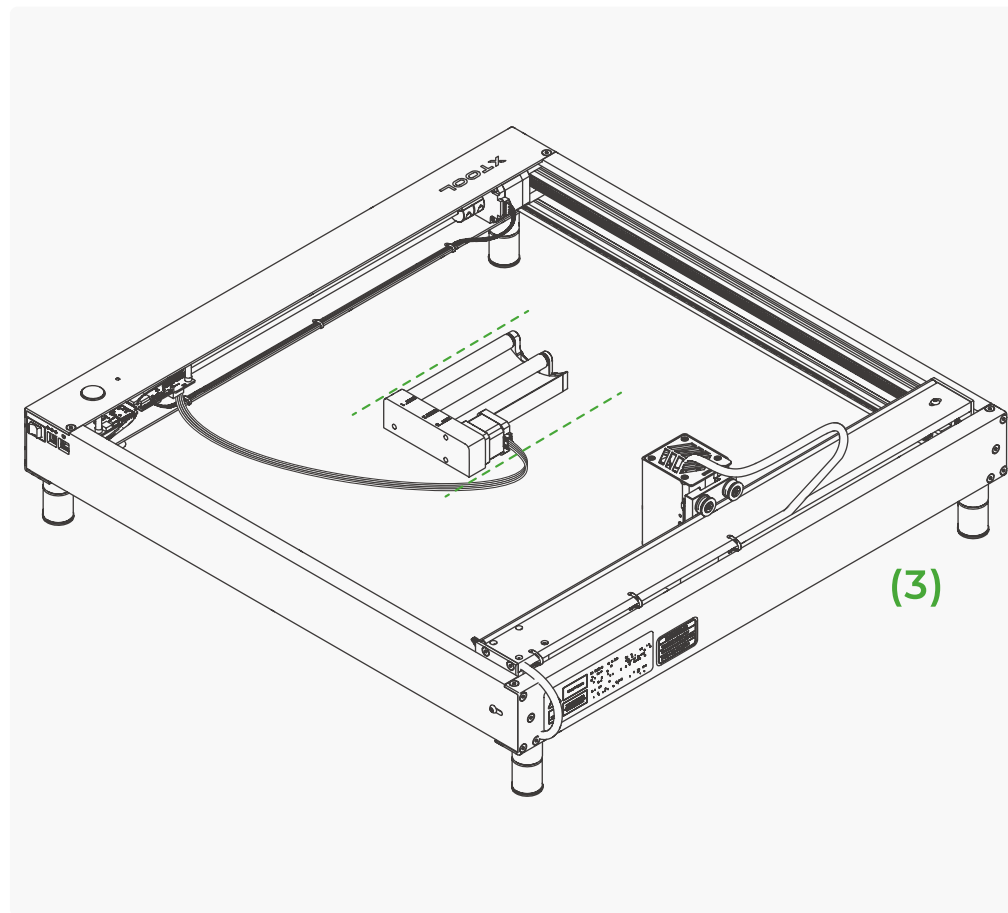
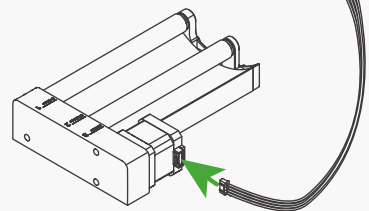


(1)



(2)



(3)

- EN Parallel to the working area.
- DE Parallel zum Arbeitsbereich.
- ES Paralelo a la zona de trabajo.
- FR Parallèle à la zone de travail.
- IT Paralelo all'area di lavoro.
- NL Parallel aan het werkgebied.
- PT Em paralelo com a área de trabalho.
- JP 作業エリアに平行。
- KO 작업 영역과 평행.
- TC 與工作區平行。
- ZH 平行于工作区。

06



EN	35
DE	42
ES	49
FR	56
IT	63
NL	70
PT	77
JP	84
KO	91
TC	97
ZH	103

Safety first (important)

DANGER –VISIBLE LASER RADIATION.

AVOID EYE OR SKIN EXPOSURE TO DIRECT OR SCATTERED RADIATION.

CLASS 4 LASER PRODUCT

	<p>Warning</p> <p>Physical injuries or damage to the machine may be caused if you do not follow the instructions or principles.</p>
	<p>Warning</p> <p>Physical injuries or damage to the machine may be caused by laser light if you do not follow the instructions or principles.</p>

1. General safety

Read and get familiar with all safety precautions and measures before using the machine. Strictly follow all safety precautions. Ensure that the machine is properly assembled and is working properly.

Follow the operating principles:

- Check the machine for damage every time before you use it. Do not operate it in any way when any damage or defect is found.
- Ensure that the workspace is clean and flat.
- Do not disassemble the machine or change its structure in any way without authorization. Do not modify or decompile its operating system.
- Keep the operating area of the machine clean. Residues and chippings accumulated during cutting and engraving are dangerous and may cause fire. Clean the machine regularly.
- The machine works properly at the temperature of 0°C to 35°C and can be stored properly at the temperature of 0°C to 45°C. Do not operate it at a temperature lower than 0°C.

2. Laser safety

Generally, the laser module works with a casing and light shield. xTool D1 is equipped with a safety interlock switch. If it is moved during work, the laser module stops emitting light and therefore causes no harm to human bodies. Although a light shield is provided to shield you from some laser light, you still need to wear the goggles to protect your eyes.

Follow the safety precautions:

- Do not operate the machine when any part of it is removed. Removing any part may expose the laser system and cause damage to the machine.
- Do not engrave or cut any material that contains PVC or vinyl (plastic materials are not recommended). These materials (and other materials containing chlorine/chloride) may generate corrosive vapor that is extremely harmful to human bodies and may cause damage to the machine. Any damage caused by engraving or cutting any material containing PVC or vinyl is not covered by Makeblock's warranty.
- Do not engrave or cut any unknown materials. Vaporization or melting of many materials, which include but are not limited to PVC and polycarbonate, may release harmful smoke.
- Do not leave the machine unattended when it is working.

3. Fire safety

When the machine cuts or engraves a material, a high-density laser beam falls on the material, heating up the surface of the material to vaporize it without burning. But most materials are inherently flammable and may be ignited to form an open flame that may burn down the machine (even if it is made of flame-retardant materials) and its surroundings. From our experience, using laser for vector cutting is most likely to produce an open flame.

Read the following warnings and suggestions carefully:

- Ensure that the workspace is well ventilated, so that the smoke can be discharged properly.
- Do not stack materials (especially organic ones, such as paper) around the machine. They may cause the spread of flames and increase the risk of material ignition.

- Do not leave the machine unattended when it is working. If the machine works with setting errors and is left unattended for a long period of time, or if a mechanical or electrical fault occurs, a fire may be caused.
- Clean the machine regularly. Excessive accumulation of residues and chippings from cutting and engraving may increase the risk of fire.
- Ensure that the area around the machine is clean without any cluttered flammable materials, explosives, or volatile solvents, such as acetone, alcohol, or gasoline. Keep a fire extinguisher and perform regular maintenance and inspection of it.

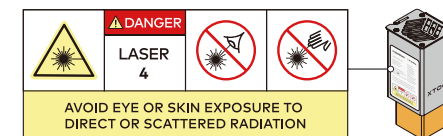
4. Electrical safety

Read the following warnings and suggestions carefully:

- Do not disassemble the machine when it is connected to a power supply. Otherwise, an electric shock may be caused.
- Do not touch any electronic area with your hands or other tools when the machine is connected to a power supply.

5. Warning and instruction signs

On xTool D1, the warning and instruction signs are labelled where physical injuries or damage to the machine may be caused before and/or during operation. If a sign is damaged or lost, replace it immediately. You can use the following template to print the sign you need.



Indicator description

Indicator state	Machine state
On in white	Standby, network not connected
On in green	Standby, network connected
Blinking in blue	The machine is in either of the following states: 1. Processing a material 2. Performing the function of "framing"
Blinking in red	One of the following exceptions occur: 1. The machine is moved when processing a material. 2. The machine is working offline without the TF card. 3. The machine is working offline with the TF card but no design file is found.

Recommended material settings

Note: The settings are tested in a laboratory environment and are for reference only.

xTool D1-5W (laser power of 5 watt)

	Name	Power(%)	Speed (mm/m)	Speed (mm/s)	Number of times
For cutting	3.5mm corrugated paper	100%	300	5	1
	3mm basswood	100%	240	4	1
	4mm basswood	100%	120	2	1
	5mm basswood	100%	120	2	1
	0.7mm artificial leather	100%	720	12	1

	Name	Power(%)	Speed (mm/m)	Speed (mm/s)	Number of times
For engraving	Basswood	95%	4200	70	1
	3.5mm corrugated paper	60%	6000	100	1
	Artificial leather	85%	6000	100	1
	Stainless steel	100%	300	5	1
	Coated metal	100%	3600	60	1

xTool D1-10W (laser power of 10 watt)

	Name	Power(%)	Speed (mm/m)	Speed (mm/s)	Number of times
For cutting	3.5mm corrugated paper	100%	540	9	1
	3mm basswood	100%	300	5	1
	4mm basswood	100%	180	3	1
	5mm basswood	100%	120	2	1
	0.7mm artificial Leatherleather	95%	1200	20	1

	Name	Power(%)	Speed (mm/m)	Speed (mm/s)	Number of times
For engraving	Basswood	75%	6000	100	1
	3.5mm corrugated paper	40%	6000	100	1
	Artificial leather	50%	6000	100	1
	Stainless steel	100%	720	12	1
	Coated metal	100%	4200	70	1

After-sales services

For technical support, contact us at support@xtool.com.

For more information about after-sales services, visit support.xtool.com.

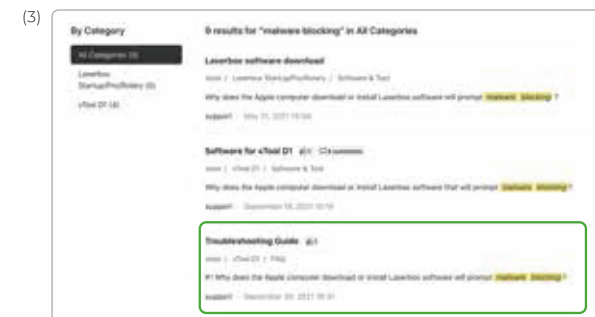
FAQs

1. How do I set the position of the laser module on xTool D1?

- (1) Put the focal length setting bar down and turn the thumb screw on the left of laser module counterclockwise to loosen it.
- (2) Slide the laser module upward or downward to position the bottom end of the focal length setting bar right on the material to be processed.
- (3) Tighten the thumb screw and put the focal length setting bar back.

2. When I install the software on the PC, a message is displayed, indicating that the software is not downloaded from the app store.

- (1) Visit support.xtool.com and search for **malware blocking**, and follow the instructions to install the software.



3. I can't connect the machine to my PC by using a USB cable. What can I do?

Possible cause: The CH340 driver is not installed.

Download and install it on your computer.



After downloading and installing the driver, restart your PC and the machine.

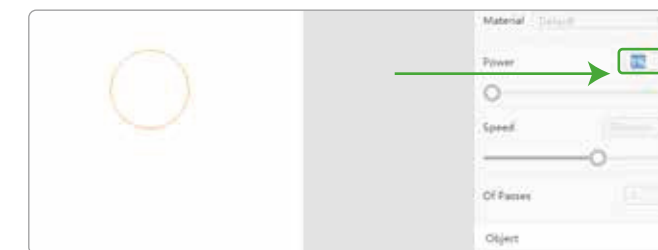
4. xTool D1 is working but no laser beam is emitted. What can I do?

Possible causes:

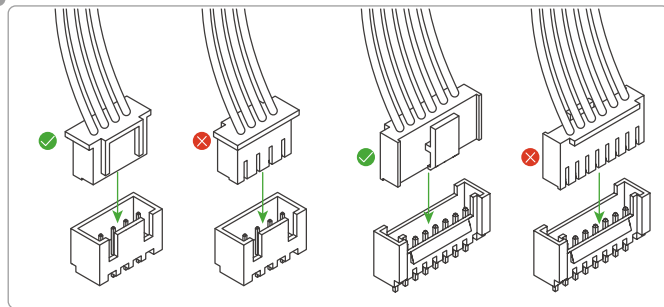
- The power is set too low.
- The connection cable of the laser module is loose.
- The connector of the laser module connection cable is inserted reversely into the main control board.

Solution:

- (1) Check the power setting. If it is set to a small value, such as 1%, set it to a greater value.



- (2) If the problem persists, unplug and plug the connection cables on the main control board again. Do not insert the connectors reversely.



(3) If the problem persists, unplug and plug the connection cable on the laser module again, and check whether the cables are damaged.

5. After I assemble the machine, the laser module can't move when it's working, why?

Possible causes:

The motor cable on the middle plate is loose or the timing belt is not installed properly.

Solution:

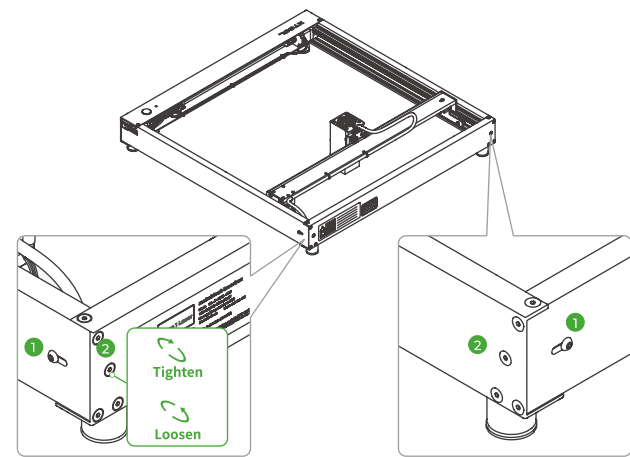
- Check both ends of the motor cable on the middle plate. If it is loose or is not inserted in place, unplug and plug it again.
- Turn the machine over and check the timing belt on the middle plate. If it is not installed properly, reinstall it.

6. How do I set the tension of the timing belts?

Timing belts on the left and right plates

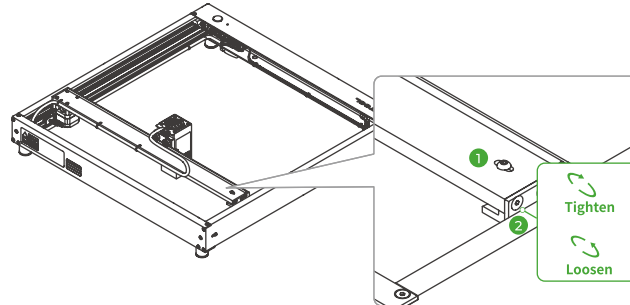
- (1) Loosen screw 1 and then turn screw 2 to set the tension.
- (2) Turn screw 2 clockwise to tighten the belt, and turn it counterclockwise to loosen it.
- (3) Make sure that you set the timing belts on the left and right plates with the same tension.

(4) After setting the tension, tighten screw 1.



Timing belt on the middle plate

- (1) Loosen screw 1.
- (2) Turn screw 2 clockwise to tighten the belt, and turn it counterclockwise to loosen it.
- (3) After setting the tension, tighten screw 1.



7. A pattern engraved on a material is deformed, why?

Possible cause:

The timing belts are set too tight.

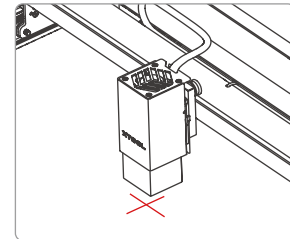
Solution:

Check the timing belts on the middle, left, and right plates. Hold the upper and lower parts of a belt with your fingers to feel the tension. If it is too loose or tight, set its tension by turning the screws. For details, see FAQ 6 "How do I set the tension of the timing belts?"

8. The red-cross light beams are not under the center of the laser module, why?

There is a spacing of 16 mm between the red cross light beams and the laser light-emitting point. The red-cross light beams are used for framing. When starting to work, the laser module moves 16 mm to the left along the middle plate.

The red-cross light beams are not straight due to the refraction of the light shield. This doesn't affect the performance of engraving.



9. After I configure the Wi-Fi connection, the machine can't be automatically connected to the software when I open the software again, why?

Possible causes:

The IP address of Wi-Fi network has changed. The IP address used when you restart the machine is not the same as the one you used when configuring the Wi-Fi network.

xTool D1 connects to the Wi-Fi network according to the IP address.

Solution:

- You can use your mobile phone to set up a hotspot, configure the Wi-Fi network and restart the software to connect your machine.
- Set a fixed IP address for the Wi-Fi network.

10. How do I perform regular maintenance on the machine? How often?

The slide bars are chrome-plated optical shafts. You need to apply lubricant to them regularly to prevent rust. The following describes the details:

Periods:

Generally, apply grease after you use the machine for 15 days to 2 months:

- Frequently used, running for more than 8 hours per day. You need to apply grease to it at least once every 15 days.
- Less frequently used, running no more than 2 hours per day. You need to apply grease to it at least once every 2 months.
- If the a slide bar is dirty or impurities are found. Clean its surface and then apply grease to it.

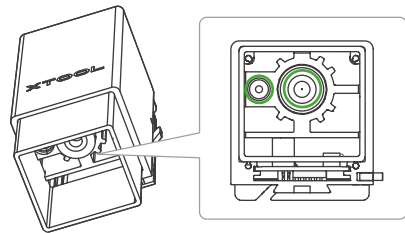
Precautions for maintenance:

- Before maintenance, clean away the dirt and impurities from the surface of the optical shaft,
- During maintenance, ensure that the grease is evenly applied, wipe off excess grease, and ensure that the optical shaft is clean and free of impurities.
- After maintenance, manually push and pull the sliding blocks on the middle, left, and right plates to ensure smooth operation without jams.
- You need to perform regular maintenance on the optical shafts on the middle, left, and right plates, four in total.

11. Do I need to clean the laser module? If yes, how often?

The laser module needs to be cleaned when the light shield is dirty or when the laser beams can't cut through materials.

- Disconnect the machine from the power supply and remove the laser module from the machine.
- Clean the inner and outer frames of the shield with tissues or dust-free cloth moistened with alcohol.
- Clean the laser lens and infrared laser-emitting point with a cotton swab moistened with alcohol.



For more details, watch the video at: youtu.be/lh53_cg6tW0

12. Other problems

If you can't solve your problems, you can contact us for after-sales services at support@xtool.com. Please include a fault video, machine firmware version, and machine SN in the email.



DECLARATION OF CONFORMITY

Hereby, Makeblock Co., Ltd. declares that this product is in compliance with the essential requirements and other relevant provisions of Directive RED 2014/53/EU and the RoHS directive 2011/65/EU & (EU) 2015/863.

FCC STATEMENT:

This device complies with Part 15 of the FCC Rules. Operation is subject to the following two conditions:

- (1) This device may not cause harmful interference.
- (2) This device must accept any interference received, including interference that may cause undesired operation.

NOTE: This equipment has been tested and found to comply with the limits for a Class B digital device, pursuant to Part 15 of the FCC Rules. These limits are designed to provide reasonable protection against harmful interference in a residential installation.

This equipment generates uses and can radiate radio frequency energy and, if not installed and used in accordance with the instructions, may cause harmful interference to radio communications.

However, there is no guarantee that interference will not occur in a particular installation. If this equipment does cause harmful interference to radio or television reception, which can be determined by turning the equipment off and on, the user is encouraged to try to correct the interference by one or more of the following measures:

- Reorient or relocate the receiving antenna.
- Increase the separation between the equipment and receiver.
- Connect the equipment into an outlet on a circuit different from that to which the receiver is connected.
- Consult the dealer or an experienced radio/TV technician for help.

FCC Radiation Exposure Statement:

This equipment complies with FCC radiation exposure limits set forth for an uncontrolled environment. This equipment should be installed and operated with a minimum distance of 20 cm between the radiator and your body.

Statement

- Thank you for choosing the xTool products!
- If you use the product for the first time, read carefully all the accompanying materials of the product to improve your experience with it. If you do not use the product according to the instructions and requirements of the Manual, or mis-operate the product due to misunderstanding, etc., Makeblock Co., Ltd. shall bear no responsibility for any loss resulting therefrom, except for losses caused due to improper installation or operation by Makeblock professional maintenance personnel.
- Makeblock Co., Ltd. has collated the content of the Manual rigorously and carefully, but errors or omissions may remain.
- Makeblock Co., Ltd. is committed to continuously improving product functions and service quality, and therefore reserves the right to change any product or software described in the Manual and the content of the Manual at any time without prior notice.
- The Manual is intended to help you use the product properly and does not include any description of hardware and software configuration. For product configuration, refer to the related contract (if any) and packing list, or consult your distributor. Images in the Manual are for reference only and the actual product may vary.
- Protected by copyright laws and regulations, the Manual shall not be reproduced or transcribed in any way, or be transmitted on any wired or wireless network in any manner, or be translated into any language without the prior written authorization of Makeblock Co., Ltd..

Sicherheit geht vor (wichtig)

GEFAHR - SICHTBARE LASERSTRAHLUNG

VERMEIDEN SIE DIE EXPOSITION DER AUGEN ODER DER HAUT DURCH DIREKTE ODER GESTREUTE STRAHLUNG. LASERPRODUKT DER KLASSE 4

	<p>Warnung</p> <p>Wenn Sie die Anweisungen oder Grundsätze nicht befolgen, kann es zu Verletzungen oder Schäden an der Maschine kommen.</p>
	<p>Warnung</p> <p>Wenn Sie die Anweisungen oder Grundsätze nicht befolgen, kann es durch Laserlicht zu Verletzungen oder Schäden an der Maschine kommen.</p>

1. Allgemeine Sicherheit

Machen Sie sich mit allen Sicherheitsmaßnahmen und -verfahren vertraut, bevor Sie die Maschine verwenden. Befolgen Sie strikt alle Sicherheitsmaßnahmen und stellen Sie sicher, dass die Maschine ordnungsgemäß zusammengebaut ist und einwandfrei funktioniert.

Befolgen Sie die Betriebsgrundsätze:

- Überprüfen Sie die Maschine jedes Mal auf Schäden, bevor Sie sie verwenden. Nehmen Sie die Maschine nicht in Betrieb, wenn Sie einen Schaden oder Defekt finden.
- Stellen Sie sicher, dass der Arbeitsplatz sauber und eben ist.
- Nehmen Sie die Maschine nicht auseinander und verändern Sie sie nicht ohne Berechtigung in irgendeiner Weise. Modifizieren oder dekompileieren Sie das Betriebssystem nicht.
- Halten Sie den Arbeitsbereich der Maschine sauber. Rückstände und Späne, die sich beim Schneiden und Gravieren ansammeln, sind gefährlich und können einen Brand verursachen. Reinigen Sie die Maschine regelmäßig.
- Die Maschine funktioniert ordnungsgemäß bei einer Temperatur von 0 °C bis 35 °C und kann bei einer Temperatur von 0 °C bis 45 °C gelagert werden. Betreiben Sie sie nicht bei einer Temperatur unter 0 °C.

2. Sicherheit des Lasers

Im Allgemeinen arbeitet der Laser mit einem Gehäuse und einer Lichtabschirmung. xTool D1 ist mit einem Sicherheitsverriegelungsschalter ausgestattet. Wenn xTool D1 während der Arbeit bewegt wird, hört der Laser auf, Licht zu emittieren und verursacht keine Schäden am menschlichen Körper. Obwohl eine Haube vorhanden ist, die Sie vor einem Teil des Laserlichts schützt, müssen Sie dennoch eine Schutzbrille tragen, um Ihre Augen zu schützen.



Beachten Sie die Sicherheitsmaßnahmen:

- Nehmen Sie die Maschine nicht in Betrieb, wenn Teile davon entfernt sind. Das Entfernen von Teilen kann das Lasersystem freilegen und Schäden an der Maschine verursachen.
- Gravieren oder schneiden Sie keine Materialien, die PVC oder Vinyl enthalten (Kunststoffmaterialien werden nicht empfohlen). Diese Materialien (und andere chlorhaltige Materialien) können ätzende Dämpfe erzeugen, die für den menschlichen Körper äußerst schädlich sind und die Maschine beschädigen können. Schäden, die durch das Gravieren oder Schneiden von PVC- oder Vinylhaltigen Materialien verursacht werden, sind nicht durch die Makeblock-Garantie abgedeckt.
- Gravieren oder schneiden Sie keine unbekannt Materialien. Beim Verdampfen/Schmelzen vieler Materialien, zu denen unter anderem PVC und Polycarbonat gehören, kann schädlicher Rauch entstehen.
- Lassen Sie die Maschine nicht unbeaufsichtigt, wenn sie in Betrieb ist. Achten Sie darauf, ob die Maschine ordnungsgemäß funktioniert.

3. Brandsicherheit

Wenn die Maschine ein Material schneidet oder graviert, fällt ein hochdichter Laserstrahl auf das Material und erhitzt dessen Oberfläche, so dass es verdampft, ohne zu brennen. Die meisten Materialien sind jedoch von Natur aus entflammbar und können sich entzünden und eine offene Flamme bilden, die die Maschine (selbst wenn sie aus flammhemmenden Materialien besteht) und ihre Umgebung in Brand setzen kann. Unserer Erfahrung nach ist es am wahrscheinlichsten, dass beim Vektorschneiden mit dem Laser eine offene Flamme entsteht.



Lesen Sie die folgenden Warnhinweise und Empfehlungen sorgfältig durch:

- Stellen Sie sicher, dass der Arbeitsbereich gut belüftet ist, damit der Rauch ordnungsgemäß abgeleitet werden kann.
- Stapeln Sie keine Materialien (insbesondere organische Materialien wie Papier) um die Maschine herum. Sie können die Ausbreitung von Flammen verursachen und das Risiko einer Materialentzündung erhöhen.
- Lassen Sie die Maschine nicht unbeaufsichtigt, wenn sie in Betrieb ist. Wenn die Maschine mit falschen Einstellungen arbeitet und über einen längeren Zeitraum unbeaufsichtigt bleibt oder eine mechanische oder elektrische Störung auftritt, kann ein Brand verursacht werden.
- Reinigen Sie die Maschine regelmäßig. Eine übermäßige Ansammlung von Rückständen und Spänen vom Schneiden und Gravieren kann das Brandrisiko erhöhen.
- Stellen Sie sicher, dass der Bereich um die Maschine sauber ist und keine brennbaren Materialien, explosive oder flüchtige Lösungsmittel wie Aceton, Alkohol oder Benzin herumliegen. Halten Sie einen Feuerlöscher bereit und pflegen und überprüfen Sie ihn regelmäßig.

4. Elektrische Sicherheit

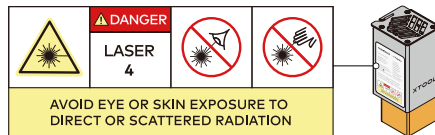


Lesen Sie die folgenden Warnhinweise und Empfehlungen sorgfältig durch:

- Nehmen Sie die Maschine nicht auseinander, wenn sie unter Strom steht. Andernfalls kann ein Stromschlag verursacht werden.
- Berühren Sie keine elektronischen Bauteile mit den Händen oder anderen Werkzeugen, wenn die Maschine unter Strom steht.

5. Warn- und Hinweisschilder

Am xTool D1 sind die Warn- und Hinweisschilder an den Stellen angebracht, an denen es vor und/oder während des Betriebs zu Verletzungen oder Schäden an der Maschine kommen kann. Wenn ein Schild beschädigt ist oder verloren geht, ersetzen Sie es sofort. Sie können die folgende Vorlage verwenden, um das von Ihnen benötigte Schild auszudrucken.



Beschreibung des Anzeigers

Status anzeigen	Zustand der Maschine
Normalerweise leuchtet er weiß	Standby, Netzwerk nicht angeschlossen
Normalerweise leuchtet er grün	Standby, Netzwerk verbunden
Blinkt blau	Die Maschine befindet sich in einem der folgenden Zustände: 1. In Betrieb 2. Einrahmen
Blinkt rot	Eine der folgenden Ausnahmen tritt auf: 1. Die Maschine wird während der Arbeit bewegt. 2. Die Maschine arbeitet offline ohne die TF-Karte. 3. Die Maschine arbeitet offline mit der TF-Karte, aber es wird keine Designdatei gefunden.

Empfohlene Materialeinstellungen

Hinweis: Die Einstellungen wurden in einer Laborumgebung getestet und dienen nur als Referenz.

xTool D1-5W (Laserleistung von 5 Watt)

	Bezeichnung	Leistung (%)	Geschwindigkeit (mm/m)	Geschwindigkeit (mm/s)	Häufigkeit
Zum Schneiden	3,5 mm Wellpappe	100%	300	5	1
	3 mm Lindenholz	100%	240	4	1
	4mm Lindenholz	100%	120	2	1
	5mm Lindenholz	100%	120	2	1
	0,7 mm Kunstleder	100%	720	12	1

	Bezeichnung	Leistung (%)	Geschwindigkeit (mm/m)	Geschwindigkeit (mm/s)	Häufigkeit
Für Gravur	Lindenholz	95%	4200	70	1
	3,5 mm Wellpappe	60%	6000	100	1
	Kunstleder	85%	6000	100	1
	Rostfreier Stahl	100%	300	5	1
	Beschichtetes Metall	100%	3600	60	1

xTool D1-10W (Laserleistung von 10 Watt)

	Bezeichnung	Leistung (%)	Geschwindigkeit (mm/m)	Geschwindigkeit (mm/s)	Häufigkeit
Zum Schneiden	3,5 mm Wellpappe	100%	540	9	1
	3 mm Lindenholz	100%	300	5	1
	4mm Lindenholz	100%	180	3	1
	5mm Lindenholz	100%	120	2	1
	0,7 mm Kunstleder	95%	1200	20	1

	Bezeichnung	Leistung (%)	Geschwindigkeit (mm/m)	Geschwindigkeit (mm/s)	Häufigkeit
Für Gravur	Lindenholz	75%	6000	100	1
	3,5 mm Wellpappe	40%	6000	100	1
	Kunstleder	50%	6000	100	1
	Rostfreier Stahl	100%	720	12	1
	Beschichtetes Metall	100%	4200	70	1

Kundendienst

Für technische Unterstützung kontaktieren Sie uns bitte unter support@xtool.com.

Weitere Informationen über Kundendienstleistungen finden Sie unter support.xtool.com.

Häufig gestellte Fragen

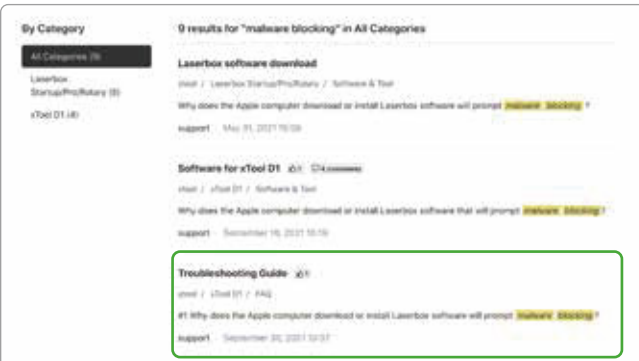
1. Wie kann ich den Laser des xTool D1 manuell positionieren?

- (1) Legen Sie den Messstab nach unten und lösen Sie die Rändelschraube auf der linken Seite des Lasers.
- (2) Schieben Sie den Laser nach oben oder unten, um den Messstab genau auf dem zu bearbeitenden Material zu platzieren.
- (3) Ziehen Sie die Rändelschraube fest und setzen Sie den Messstab wieder zurück.

2. Wenn ich die Software auf dem PC installiere, erscheint die Meldung, dass die Software nicht aus dem App Store heruntergeladen wurde.

- (1) Besuchen Sie support.xtool.com und suchen Sie nach **malware blocking**, und befolgen Sie die Anweisungen zur Installation der Software. z

(2)

(3) 

3. Die Maschine lässt sich nicht über einen USB-Anschluss mit meinem PC verbinden, was kann ich tun?

Mögliche Ursache: Der CH340-Treiber wurde nicht erfolgreich installiert.

Für Windows wch-ic.com/downloads/CH341SER_EXE.html

Für MacOS wch-ic.com/downloads/CH341SER_MAC_ZIP.html

Starten Sie nach dem Herunterladen und Installieren des Treibers Ihren PC und die Maschine neu.

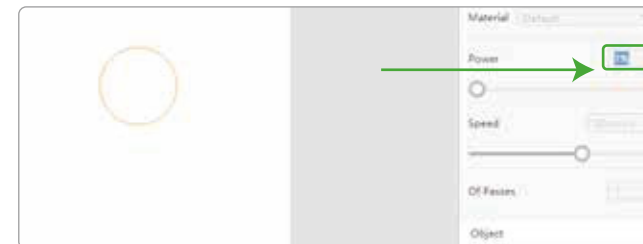
4. xTool D1 arbeitet ohne Laserlicht.

Mögliche Ursachen:

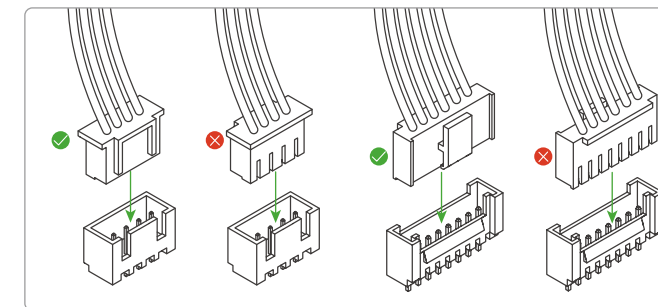
- Die Einstellung der Leistung ist zu niedrig.
- Das Verbindungskabel des Lasers hat sich gelockert.
- Das Verbindungskabel des Lasers ist verkehrt herum in die Hauptsteuerplatine eingesteckt.

Lösung:

- (1) Überprüfen Sie die Einstellung der Leistung. Wenn sie auf 1% oder einen kleinen Wert eingestellt ist, stellen Sie sie auf einen höheren Wert ein.



- (2) Wenn das Problem weiterhin besteht, ziehen Sie die Verbindungskabel an der Hauptsteuerplatine ab und stecken Sie sie wieder ein.



- (3) Wenn das Problem weiterhin besteht, ziehen Sie die Verbindungskabel am Laser ab und stecken Sie sie wieder ein, und prüfen Sie, ob die Kabel beschädigt sind.

5. Nachdem die Maschine zusammengebaut wurde, kann sich die X-Achse nicht bewegen, wenn sie arbeitet, warum?

Mögliche Ursachen:

Das Motor Kabel der X-Achse hat sich gelockert oder der Zahnriemen ist nicht richtig installiert.

Lösung:

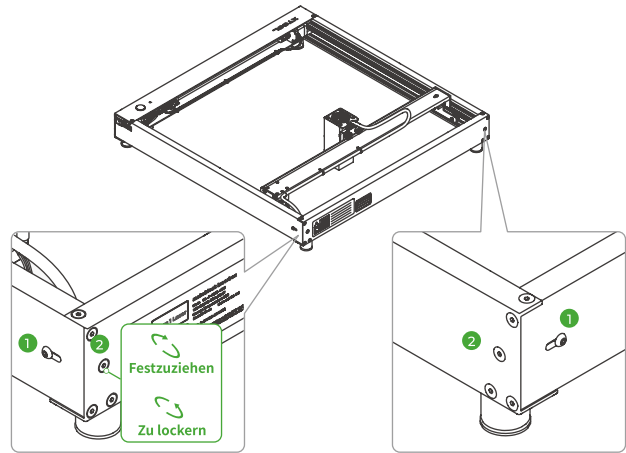
- Überprüfen Sie beide Enden des Motor Kabels der X-Achse. Wenn es sich gelockert hat oder nicht richtig eingesteckt ist, stecken Sie es wieder richtig ein.
- Drehen Sie die Maschine um und prüfen Sie den Zahnriemen der X-Achse. Wenn er nicht richtig installiert ist, installieren Sie ihn neu.

6. Wie stelle ich die Spannung der Zahnriemen ein?

Riemen der Y-Achse

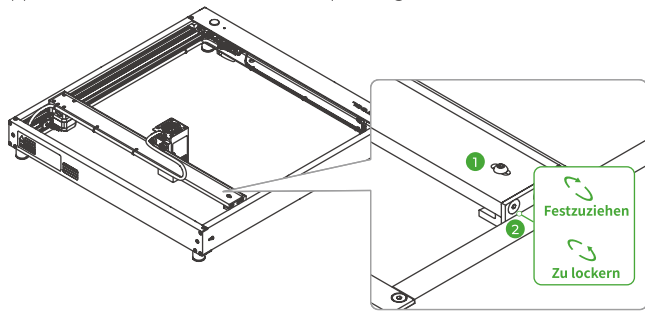
- (1) Lösen Sie Schraube 1 und drehen Sie dann Schraube 2, um die Spannung einzustellen.
- (2) Drehen Sie die Schraube im Uhrzeigersinn, um den Riemen zu spannen, und gegen den Uhrzeigersinn, um ihn zu lockern.
- (3) Achten Sie darauf, dass Sie die Zahnriemen auf der linken und rechten Platte mit der gleichen Spannung einstellen.

(4) Ziehen Sie nach dem Einstellen der Spannung die Schraube 1 fest.



Riemen der X-Achse

- (1) Lösen Sie Schraube 1.
- (2) Drehen Sie Schraube 2 im Uhrzeigersinn, um den Riemen zu spannen, und drehen Sie sie gegen den Uhrzeigersinn, um ihn zu lockern.
- (3) Ziehen Sie nach dem Einstellen der Spannung die Schraube 1 fest.



7. Nach der Gravur ist ein Muster verformt, warum?

Mögliche Ursache:

Der Zahnriemen ist zu fest eingestellt.

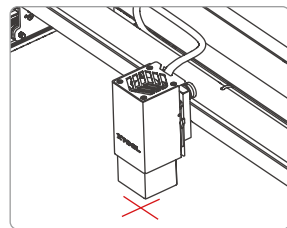
Lösung:

Überprüfen Sie die Zahnriemen auf der x- und y-Achse. Halten Sie den oberen und unteren Teil eines Riemens mit den Fingern, um die Spannung zu fühlen. Wenn der Riemen zu locker oder zu straff ist, lesen Sie die vorangegangenen Häufigen Fragen, um die Spannung einzustellen.

8. Warum befindet sich das rote Kreuz nicht in der Mitte des Laserkopfes?

Zwischen den Lichtstrahlen des roten Kreuzes und dem Lichtaustrittspunkt des Lasers besteht ein Abstand von 16 mm. Das rote Kreuz wird zum Einrahmen verwendet. Zu Beginn der Arbeit bewegt sich der Laser 16 mm nach links entlang der x-Achse.

Die Rot-Kreuz-Linien sind aufgrund der Brechung der Lichthaube nicht gerade. Dies hat keinen Einfluss auf die Gravur.



9. WLAN kann nach der Konfiguration nicht automatisch verbunden werden, warum?

Mögliche Ursachen:

Die IP-Adresse des WLAN-Netzwerks wurde geändert. Die IP-Adresse, die beim Neustart der Maschine verwendet wird, ist nicht dieselbe wie die, die Sie für die Konfiguration des WLAN-Netzwerks verwendet haben.
xTool D1 stellt die Verbindung zum WLAN-Netzwerk entsprechend der IP-Adresse her.

Lösung:

- Sie können Ihr Mobiltelefon verwenden, um einen Hotspot einzurichten, das WLAN-Netzwerk zu konfigurieren und die Software neu zu starten, um Ihre Maschine erneut zu verbinden.
- Stellen Sie eine feste IP-Adresse für das WLAN-Netzwerk ein.

10. Wie kann ich die Maschine warten? Wie oft?

Die Gleitstange ist eine verchromte optische Welle. Sie müssen regelmäßig Schmiermittel auf die optische Welle auftragen, um Rost zu vermeiden. Im Folgenden werden die Einzelheiten beschrieben:

Zeiträume:

Im Allgemeinen sollten Sie die Maschine nach einer Verwendung während 15 Tagen bis 2 Monaten schmieren:

- Bei häufiger Verwendung, mehr als 8 Stunden pro Tag. Sie müssen die Maschine mindestens einmal alle 15 Tage einfetten;
- Bei weniger häufigem Gebrauch, d. h. nicht mehr als 2 Stunden pro Tag. Sie müssen sie mindestens einmal alle 2 Monate einfetten.
- Wenn die Gleitstange verschmutzt ist oder Verunreinigungen aufweist. Reinigen Sie die Oberfläche der optischen Welle und schmieren Sie sie dann.

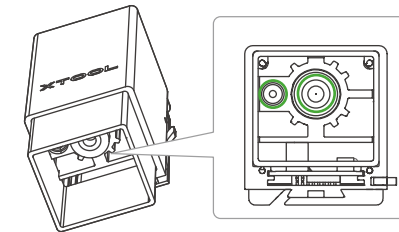
Vorsichtsmaßnahmen für die Wartung:

- Reinigen Sie vor der Wartung die Oberfläche des optischen Schafts von Schmutz und Verunreinigungen,
- Stellen Sie während der Wartung sicher, dass das Fett gleichmäßig aufgetragen wird, wischen Sie überschüssiges Fett ab und stellen Sie sicher, dass der optische Schaft sauber und frei von Verunreinigungen ist.
- Nach der Wartung schieben und ziehen Sie die Profile der X- und Y-Achse manuell, um einen reibungslosen Betrieb ohne Widerstand sicherzustellen.
- Die Wartung umfasst die optischen Wellen der X- und Y-Achse, insgesamt vier.

11. Muss ich den Laser reinigen? Wenn ja, wie oft?

Der Laserkopf muss gereinigt werden, wenn der Schutzschild verschmutzt ist oder wenn der Laser nicht mehr durch das Material schneiden kann.

- Trennen Sie die Maschine von der Stromversorgung und nehmen Sie den Laserkopf aus der Maschine.
- Reinigen Sie den inneren und äußeren Rahmen der Abschirmung mit Taschentüchern oder einem staubfreien, mit Alkohol befeuchteten Tuch.
- Reinigen Sie das Laserprisma und den Infrarotlaser-Sendepunkt mit einem mit Alkohol angefeuchteten Wattestäbchen.



Weitere Einzelheiten finden Sie in dem Video unter: youtu.be/lh53_cg6tW0

12. Andere Probleme

Wenn Sie Ihre Probleme nicht lösen können, können Sie den Kundendienst unter support@xtool.com kontaktieren. Bitte fügen Sie der E-Mail ein Video der Störung, die Firmware-Version der Maschine und die Seriennummer der Maschine bei.



Konformitätserklärung

Hiermit erklärt Makeblock Co., Ltd., dass dieses Produkt die grundlegenden Anforderungen und anderen relevanten Vorschriften der Richtlinie RED 2014/53/EU und der RoHS-Richtlinie 2011/65/EU & (EU) 2015/863 einhält.



Erklärung

- Vielen Dank, dass Sie xTool-Produkte ausgewählt haben!
- Wenn Sie das Produkt zum ersten Mal benutzen, lesen Sie bitte sorgfältig das gesamte Begleitmaterial des Produkts durch, um Ihre Erfahrung mit dem Produkt zu verbessern. Wenn Sie das Produkt nicht gemäß den Anweisungen und Anforderungen des Handbuchs verwenden oder das Produkt aufgrund von Missverständnissen usw. falsch betreiben, übernimmt Makeblock Co., Ltd. keine Verantwortung für daraus resultierende Schäden, mit Ausnahme von Schäden, die durch unsachgemäße Installation oder Bedienung durch Makeblocks Fachwartungspersonal verursacht wurden.
- Makeblock Co., Ltd. hat den Inhalt des Handbuchs sorgfältig und gewissenhaft zusammengestellt, aber es können Fehler oder Auslassungen bestehen.
- Makeblock Co., Ltd. ist bestrebt, die Produktfunktionen und die Servicequalität ständig zu verbessern, und behält sich daher das Recht vor, die im Handbuch beschriebenen Produkte oder Software sowie den Inhalt des Handbuchs jederzeit ohne vorherige Ankündigung zu ändern.
- Das Handbuch soll Ihnen helfen, das Produkt richtig zu benutzen und enthält keine Beschreibung der Hardware- und Softwarekonfiguration. Für die Produktkonfiguration lesen Sie bitte den zugehörigen Vertrag (falls vorhanden) und die Packliste oder wenden Sie sich an Ihren Händler. Die Abbildungen in diesem Handbuch dienen nur als Referenz und das tatsächliche Produkt kann davon abweichen.
- Das Handbuch ist durch Urheberrechtsgesetze und -vorschriften geschützt und darf ohne vorherige schriftliche Genehmigung von Makeblock Co., Ltd. in keiner Weise vervielfältigt oder umgeschrieben, über ein drahtgebundenes oder drahtloses Netzwerk übertragen oder in eine andere Sprache übersetzt werden.

La seguridad es lo primero (importante)

PELIGRO-RADIACIÓN LÁSER VISIBLE

EVITE LA EXPOSICIÓN DE LOS OJOS O LA PIEL A LA RADIACIÓN DIRECTA O DISPERSA PRODUCTO LÁSER DE CLASE 4

	Precaución Si no sigue las instrucciones de uso apropiadamente, pueden producirse accidentes o daños en la máquina.
	Precaución Si no sigue las instrucciones de uso apropiadamente, la luz láser podría ocasionar accidentes o daños en la máquina.

1. Seguridad General

Lea y familiarícese con todas los procedimientos y precauciones de seguridad antes de utilizar la máquina. Siga de manera estricta todas las precauciones de seguridad asegúrese de que la máquina esté bien ensamblada y funcione correctamente.

Siga los principios operativos.

- Cada vez que utilice la máquina compruebe si no está dañada. No opera la máquina si está dañada o si se encuentran defectos.
- Asegúrese de que el área de trabajo sea una superficie plana y limpia.
- No desmantele la máquina o cambie la estructura sin autorización previa. No modifique o descompile el sistema operativo.
- Mantenga el área de operación de la máquina limpia. Los residuos y astillas que se acumulan durante el proceso de corte y grabado son peligrosos y pueden ocasionar incendios. Limpie la máquina regularmente.
- La máquina funciona correctamente a 0 °C - 35 °C de temperatura y puede almacenarse a 0 °C - 45 °C. No opere la máquina a menos de 0 °C.

2. Seguridad Láser

Generalmente, el láser funciona con una carcasa y un protector de luz. La xTool D1 está equipada con un interruptor de enclavamiento de seguridad. Si la xTool D1 se mueve durante el funcionamiento, el láser deja de emitir luz y no ocasiona daños en el cuerpo humano. A pesar de que la máquina incluye una capucha para protegerse de la luz láser, es necesario utilizar gafas de seguridad para proteger los ojos.

Siga las precauciones de seguridad:

- No opera la máquina si le falta alguna pieza. Quitar piezas puede ocasionar que el Sistema Láser dañe la máquina.
- No grabe ni corte ningún material que contenga PVC o vinilo (no se recomienda utilizar materiales plásticos). Estos materiales (y otros materiales que contienen cloro/cloruro) pueden ocasionar vapor corrosivo, el cual es extremadamente dañino para el cuerpo humano y puede ocasionar daños en la máquina. Cualquier daño ocasionado por el grabado o corte de material que contenga PVC o vinilo no está cubierto por la garantía de Makeblock.
- No grabe ni corte materiales desconocidos. El proceso de vaporización/fundición de cualquier material que incluya PVC y policarbonato, entre otros materiales, puede ocasionar la liberación de vapores dañinos.
- No deje la máquina sin supervisión mientras está en funcionamiento. Preste atención si está funcionando adecuadamente.

3. Seguridad contra Incendios

Cuando la máquina corta o graba material, rayos láser de alta densidad caen sobre el material, calentando la superficie para vaporizarlo sin quemarlo. Sin embargo, algunos materiales son naturalmente inflamables y pueden ocasionar una llama abierta que puede incendiar la máquina (incluso si está hecha de materiales resistentes al fuego) y los alrededores. Basándonos en nuestra experiencia, utilizar un láser para realizar un recorte vectorial hace que sea más probable que se produzca una llama abierta.

Lea las siguientes advertencias y sugerencias con atención.

- Asegúrese de que el lugar de trabajo esté bien ventilado para que el humo pueda liberarse de manera apropiada.
- No acumule materiales (en especial materiales orgánicos, tales como papel) alrededor de la máquina. Pueden ocasionar la propagación de las llamas e incrementar el riesgo de incendio.
- No deje la máquina sin supervisión mientras está en funcionamiento. Si la máquina funciona con ajustes incorrectos y no se supervisa por un largo periodo de tiempo, o si ocurre una falla mecánica o eléctrica, es probable que se ocasione un incendio.
- Limpie la máquina regularmente. La acumulación excesiva de residuos y astillas ocasionados por el corte y grabado, incrementa el riesgo de incendios.
- Asegúrese de que el área alrededor de la máquina esté limpia sin materiales inflamables, explosivos o solventes volátiles, tales como acetona, alcohol o gasolina. Tenga siempre a mano un extinguidor de fuego y realice el mantenimiento y la inspección correspondiente.

4. Seguridad eléctrica

Lea las siguientes advertencias y sugerencias con atención.

- No desarme la máquina cuando esté conectada a la corriente eléctrica. De lo contrario, puede ocurrir una descarga eléctrica.
- No toque ningún área eléctrica con las manos u otras herramientas cuando la máquina esté conectada al suministro eléctrico.

5. Rótulos de precaución e instrucción

En la xTool D1, los rótulos de instrucción y precaución están colocados donde pueden ocurrir daños físicos o daños en la máquina antes y/o durante la operación. Si algún rótulo se daña o se pierde, reemplácelo inmediatamente. Puede utilizar la siguiente plantilla para imprimir el rótulo que necesite.



Descripción del indicador

Indique estado	Estado de la máquina
Normalmente encendida en blanco	Suspendida, la red no está conectada
Normalmente encendida en verde	Suspendida, red conectada
Parpadea en azul	La máquina está en alguno de los siguientes estados: 1. Trabajando 2. Elaborando
Parpadea en rojo	Pueden ocurrir alguna de las siguiente excepciones: 1. La máquina se movió durante el funcionamiento. 2. La máquina está trabajando sin conexión sin la Tarjeta TF. 3. La máquina está trabajando sin conexión con la tarjeta TF pero no se encontró un archivo de diseño.

Ajustes de material recomendados

Aviso: Los ajustes se analizan en un laboratorio y son solo de referencia.

xTool D1-5W (potencia láser de 5 watt)

	Nombre	Potencia (%)	Velocidad (mm/m)	Velocidad (mm/s)	Cantidad de piezas
Para corte	Papel corrugado de 3,5 mm	100%	300	5	1
	Madera de tilo de 3 mm	100%	240	4	1
	Madera de tilo de 4mm	100%	120	2	1
	Madera de tilo de 5mm	100%	120	2	1
	Cuero artificial de 0,7 mm	100%	720	12	1

	Nombre	Potencia (%)	Velocidad (mm/m)	Velocidad (mm/s)	Cantidad de piezas
Para gravado	Madera de tilo	95%	4200	70	1
	Papel corrugado de 3,5 mm	60%	6000	100	1
	Cuero artificial	85%	6000	100	1
	Acero inoxidable	100%	300	5	1
	Metal recubierto	100%	3600	60	1

xTool D1-10W (potencia láser de 10 watt)

	Nombre	Potencia (%)	Velocidad (mm/m)		
Para corte	Papel corrugado de 3,5 mm	100%	540	9	1
	Madera de tilo de 3 mm	100%	300	5	1
	Madera de tilo de 4mm	100%	180	3	1
	Madera de tilo de 5mm	100%	120	2	1
	Cuero artificial de 0,7 mm	95%	1200	20	1

	Nombre	Potencia (%)	Velocidad (mm/m)		
Para gravado	Madera de tilo	75%	6000	100	1
	Papel corrugado de 3,5 mm	40%	6000	100	1
	Cuero artificial	50%	6000	100	1
	Acero inoxidable	100%	720	12	1
	Metal recubierto	100%	4200	70	1

Servicio de posventa

Para soporte técnico, contactéese con nosotros a través de support@xtool.com.
Para más información acerca de los servicios posventa, visite support.xtool.com.

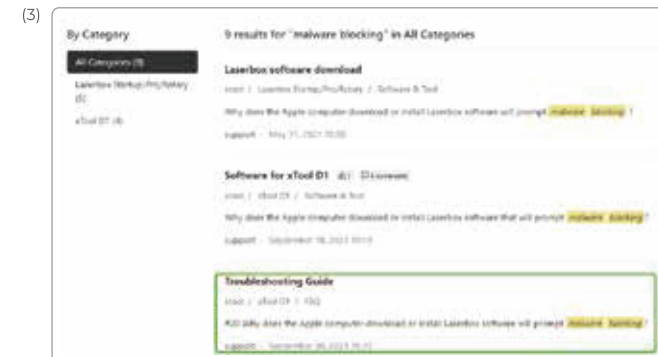
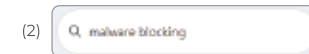
Preguntas frecuentes

1. ¿Cómo posiciono manualmente el láser de la xTool D1?

- (1) Baje la varilla de alcance y afloje el tornillo moleteado del lado izquierdo del láser.
- (2) Deslice el láser hacia arriba o hacia abajo para colocar la varilla de alcance sobre el material a procesar.
- (3) Ajuste el tornillo moleteado y vuelva a colocar la varilla.

2. Al instalar el software en el ordenador, aparece un mensaje que indica que el software no se descargó desde la aplicación móvil.

- (1) Visite support.xtool.com, busque información sobre **malware blocking** y siga las instrucciones para instalarlo.



3. La máquina no se conecta al ordenador con Puerto USB ¿Qué puedo hacer?

Causa probable: El driver CH340 no está instalado correctamente.

Para windows wch-ic.com/downloads/CH341SER_EXE.html

Para macOS wch-ic.com/downloads/CH341SER_MAC_ZIP.html

Lugo de descargar e instala el driver, reinicie el ordenador y la máquina.

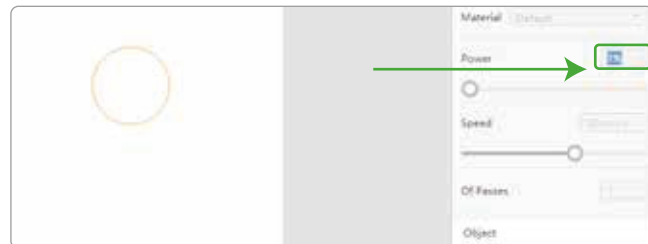
4. La xTool D1 funciona sin luz láser.

Causas probables:

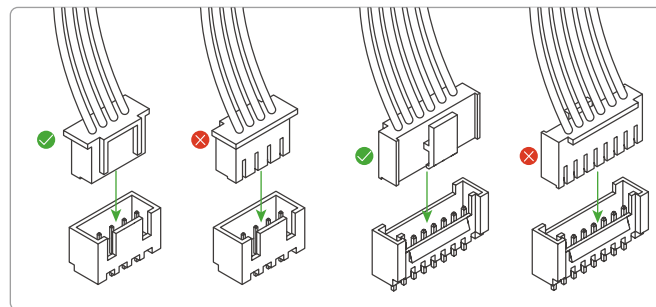
- La configuración de la potencia es muy baja.
- El cable de conexión del láser está flojo.
- El cable de conexión del láser está insertado al revés dentro del panel de control principal.

Solución:

- (1) Compruebe los ajustes de la potencia: Si está en 1% o en un valor pequeño, configúrela a un valor más alto.



- (2) Si el problema persiste, desenchufe y enchufe los cables de conexión en el panel de control principal nuevamente.



- (3) Si el problema persiste, desenchufe y enchufe el cable de conexión del láser nuevamente y compruebe si los cables están dañados.

5. Luego de ensamblar la máquina, el eje X no se mueve cuando está en funcionamiento ¿Por qué?

Causas probables:

El cable motor del eje X está flojo o la correa de distribución no está correctamente instalada.

Solución:

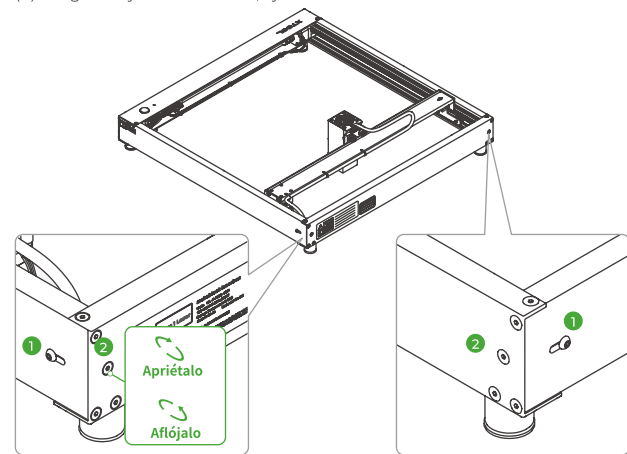
- Controle ambos extremos del cable motor del eje X. Si está flojo o no se insertó en el lugar correcto, vuelva a enchufarlo.
- De vuelta la máquina y controle la correa de distribución del eje X. Si no está correctamente instalada, vuelva a instalarla.

6. ¿Cómo ajusto la tensión de las correas de distribución?

Correa del eje Y

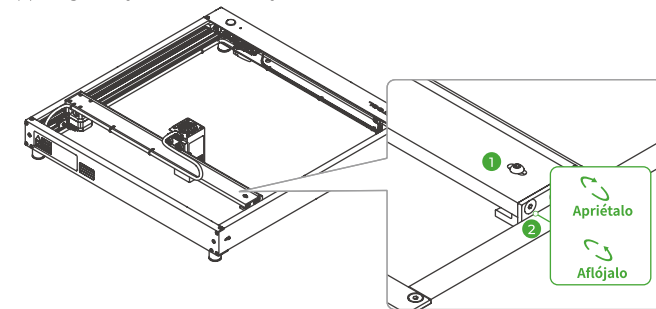
- (1) Afloje el tornillo 1 y luego gire el tornillo 2 para ajustar la tensión.
- (2) Gire el tornillo en sentido horario para ajustar la correa y gírelo en sentido antihorario para aflojarlo.
- (3) Asegúrese de ajustar las correas de distribución de las placas izquierda y derecha con la misma tensión.

- (4) Luego de ajustar la tensión, ajuste el tornillo 1.



Correa del eje X

- (1) Afloje el tornillo 1.
- (2) Gire el tornillo 2 en sentido horario para ajustar la correa y gírelo en sentido antihorario para aflojarla.
- (3) Luego de ajustar la tensión, ajuste el tornillo 1.



7. Luego de realizar el grabado, el patrón se deforma ¿Por qué?

Causa probable:

La correa de distribución está demasiado ajustada.

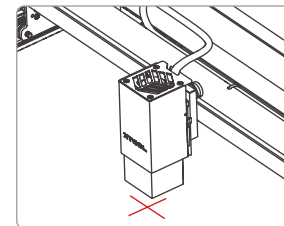
Solución:

Controle las correas de distribución del eje x y del eje y. Sostenga la parte superior e inferior de la correa con los dedos para verificar la tensión. Si está demasiado tensa o demasiado floja, revise las preguntas anteriores para ajustar la tensión.

8. ¿Por qué la cruz roja no está debajo del centro del cabezal láser?

Hay un espacio de 16 mm entre los rayos de luz de la cruz roja y el punto de emisión de la luz láser. La cruz roja se utiliza para enmarcar. Al comenzar a trabajar, el láser se mueve 16 mm hacia la izquierda a lo largo del eje x.

Las líneas de la cruz roja no son derechos debido a la refracción de carcasa de la luz. Esto no afecta al grabado.



9. El Wi-Fi no se conecta automáticamente luego de la configuración ¿Por qué?

Causas probables:

Cambió la dirección IP de la red Wifi. La dirección IP utilizada al reiniciar la máquina no es la misma que se utilizó para configurar la red Wifi. La xTool D1 se conecta a la red Wifi de acuerdo con la dirección IP.

Solución:

- Puede utilizar su móvil para establecer una zona con cobertura inalámbrica, configurar la red Wifi y reiniciar el software para volver a conectar la máquina.
- Establezca una dirección IP fija para la red Wi-Fi.

10. ¿Cómo realizo el mantenimiento de la máquina? ¿Con qué frecuencia?

La varilla deslizando es un eje óptico cromado. Necesita aplicar lubricante al eje óptico regularmente para prevenir la oxidación. A continuación se describen los detalles:

Periodos:

Por lo general, se le debe agregar grasa luego de utilizar la máquina durante 15 días-2 meses:

- Si se utiliza con frecuencia, en funcionamiento durante más de 8 horas por día. Debe engrasarla cada 15 días, al menos;
- Si se utiliza con poca frecuencia, no más de 2 horas por día. Debe engrasarla al menos una vez cada 2 meses.
- Si la varilla deslizando está sucia o se observan impurezas. Limpie la superficie del eje óptico y luego engráselo.

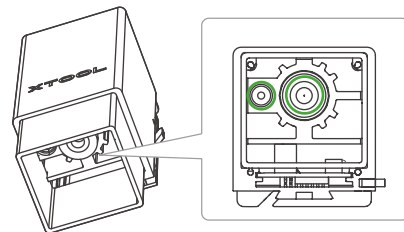
Precauciones del mantenimiento:

- Antes de realizar el mantenimiento, limpie las impurezas y suciedad de la superficie del eje óptico.
- Durante el mantenimiento, asegúrese de no aplicar grasa en exceso; limpie el exceso de grasa y asegúrese de que el eje óptico esté limpio y libre de impurezas.
- Luego del mantenimiento, empuje y tire manualmente los perfiles del eje X y del eje Y para garantizar un funcionamiento correcto sin atascos.
- El mantenimiento comprende los ejes ópticos de los ejes X y ejes Y, cuatro en total.

11. ¿Necesito limpiar el láser? En caso afirmativo ¿Con qué frecuencia?

El láser debe limpiarse cuando la placa protectora esté sucia o cuando el láser no pueda cortar los materiales.

- Desconecte la máquina del suministro eléctrico y quite el cabezal láser.
- Limpie los marcos interiores y exteriores de la placa con papel tisú o con un paño libre de polvo humedecido con alcohol.
- Limpie el prisma del láser y el punto de emisión de láser infrarrojo con un hisopo de algodón humedecido con alcohol.



Para más detalles, mire el video en: youtu.be/lh53_cg6tW0

12. Otros problemas

Si no puede resolver algún problema, contacte al servicio posventa a través de support@xtool.com. En el correo, incluya un video que describa la falla, la versión del firmware de la máquina y el número de serie de la máquina.

**Declaración de conformidad.**

Makeblock Co. Ltd. declara por la presente que este producto cumple los requisitos esenciales y otras disposiciones pertinentes de la directiva RED 2014/53/UE y la directiva RoHS 2011/65/UE & (EU) 2015/863.

Informe

- ¡Gracias por elegir los productos xTool!
- Si está utilizando este producto por primera vez, lea cuidadosamente todo el material que lo acompaña para mejorar la experiencia con el producto. Si no utiliza este producto de acuerdo con las instrucciones y requisitos del Manual u opera el producto de manera errónea, etc., Makeblock Co., Ltd no se hará responsable de ningún daño, excepto en caso de que el daño se haya producido por la incorrecta instalación u operación por parte de un técnico de mantenimiento de Makeblock.

- Makeblock Co., Ltd ha cotejado el contenido del manual de manera rigurosa; sin embargo, pueden llegar a quedar algunos errores u omisiones.
- Makeblock Co., Ltd se compromete a seguir mejorando las funciones de sus productos y la calidad de sus servicios y, por lo tanto, se reserva el derecho de cambiar cualquier producto o software descrito en el Manual, así como también el contenido del Manual en cualquier momento sin aviso previo.
- La función de este Manual es la de ayudarlo a utilizar este producto de manera apropiada y no incluye ninguna descripción de la configuración del hardware o software. Para ver la configuración del producto, revise el contrato relacionado (si existe) y la lista de embalaje, o consulte al distribuidor. Las imágenes en el Manual son únicamente de referencia y pueden variar con respecto al producto real.
- El Manual está protegido por leyes y normas de derechos de autor y no se puede reproducir o copiar de ningún modo ni puede transmitirse en ninguna red inalámbrica o no inalámbrica; tampoco puede traducirse a ningún idioma sin la previa autorización escrita de Makeblock Co., Ltd..

La sécurité avant tout (important)

DANGER - RAYONNEMENT LASER VISIBLE

EVITER L'EXPOSITION DE LA PEAU OU DES YEUX AU RAYON DIRECT OU REFLECHI PRODUIT LASER DE CLASSE 4

	<p>Avertissement</p> <p>Si vous ne suivez pas les instructions ou les principes, vous risquez de provoquer des blessures physiques ou d'endommager la machine.</p>
	<p>Avertissement</p> <p>Si vous ne suivez pas les instructions ou les principes, vous risquez de vous blesser ou d'endommager la machine à cause de la lumière laser.</p>

1. Sécurité générale

Avant d'utiliser la machine, lisez et familiarisez-vous avec toutes les précautions et procédures de sécurité. Suivez scrupuleusement toutes les précautions de sécurité et assurez-vous du bon assemblage et du bon fonctionnement de la machine.

**Suivez les principes de fonctionnement :**

- Avant chaque utilisation, vérifiez que la machine n'est pas endommagée. Si vous constatez un dommage ou un défaut, ne l'utilisez en aucune façon.
- Assurez-vous que l'espace de travail est propre et plat.
- Ne pas démonter la machine ou modifier sa structure de quelque manière que ce soit sans autorisation. Ne pas modifier ou décompiler son système d'exploitation.
- Maintenez la zone d'utilisation de la machine propre. Les résidus et les copeaux accumulés pendant la découpe et la gravure sont dangereux et peuvent provoquer un incendie. Nettoyez régulièrement la machine.
- La machine fonctionne correctement à une température comprise entre 0 °C et 35 °C et peut être stockée correctement à une température comprise entre 0 °C et 45 °C. Ne pas la faire fonctionner à une température inférieure à 0 °C.

2. Sécurité du laser

Le laser fonctionne généralement avec un boîtier et une protection contre la lumière. xTool D1 est équipé d'un interrupteur de verrouillage de sécurité. Le laser cesse d'émettre de la lumière si xTool D1 est déplacé pendant le travail et ne cause aucun dommage au corps humain. Vous devez porter des lunettes de protection pour protéger vos yeux, bien qu'un capot soit fourni pour vous protéger d'une partie de la lumière laser.



Respectez les consignes de sécurité :

- Ne faites pas fonctionner la machine lorsqu'une partie de celle-ci est retirée. Le retrait d'une pièce peut exposer le système laser et endommager la machine.
- Ne gravez pas et ne coupez pas de matériaux contenant du PVC ou du vinyle (les matériaux en plastique ne sont pas recommandés). Ces matériaux (et d'autres matériaux contenant du chlore/chlorure) peuvent générer des vapeurs corrosives extrêmement nocives pour le corps humain et peuvent endommager la machine. Tout dommage causé par la gravure ou la découpe de tout matériau contenant du PVC ou du vinyle n'est pas couvert par la garantie de Makeblock.
- Ne gravez ou ne découpez pas de matériaux inconnus. La vaporisation/fusion de nombreux matériaux, qui comprennent notamment le PVC et le polycarbonate, peut dégager une fumée nocive.
- Ne pas laisser la machine sans surveillance lorsqu'elle fonctionne. Faites attention à ce qu'elle fonctionne correctement.

3. Sécurité incendie

Lorsque la machine coupe ou grave un matériau, un faisceau laser haute densité tombe sur le matériau, chauffant la surface du matériau pour le vaporiser sans le brûler. Mais la plupart des matériaux sont intrinsèquement inflammables et peuvent s'enflammer et former une flamme nue susceptible de brûler la machine (même si elle est fabriquée avec des matériaux ignifuges) et son environnement. D'après notre expérience, l'utilisation du laser pour effectuer une découpe vectorielle est la plus susceptible de produire une flamme nue.



Lire attentivement les avertissements et suggestions suivants :

- S'assurer que l'espace de travail est bien ventilé, afin que la fumée puisse être évacuée correctement.
- Ne pas empiler de matériaux (en particulier des matériaux organiques, comme le papier) autour de la machine. Ils peuvent provoquer la propagation de flammes et augmenter le risque d'inflammation des matériaux.
- Ne pas laisser la machine sans surveillance lorsqu'elle fonctionne. Un incendie peut se produire si la machine fonctionne avec des réglages incorrects et est laissée sans surveillance pendant une longue période, ou si un défaut mécanique ou électrique se produit.
- Nettoyez régulièrement la machine. Le risque d'incendie peut être accru par une accumulation excessive de résidus et de copeaux provenant de la découpe et de la gravure.
- Veillez à ce que la zone autour de la machine soit propre, sans matériaux inflammables, explosifs ou solvants volatils encombrants, tels que l'acétone, l'alcool ou l'essence. Conservez un extincteur et procédez régulièrement à son entretien et à son inspection.

4. Sécurité électrique

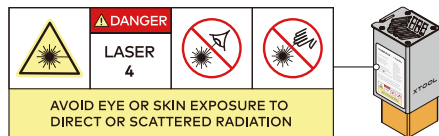


Lire attentivement les avertissements et suggestions suivants :

- Ne pas démonter la machine lorsqu'elle est connectée à une alimentation électrique. Autrement, un choc électrique pourrait être provoqué.
- Ne toucher aucune zone électronique avec vos mains ou d'autres outils lorsque la machine est connectée à une source d'alimentation.

5. Panneaux d'avertissement et d'instruction

Sur le xTool D1, les panneaux d'avertissement et d'instruction sont étiquetés aux endroits où des blessures physiques ou des dommages à la machine peuvent être causés avant et/ou pendant le fonctionnement. Si un panneau est endommagé ou perdu, le remplacer immédiatement. Afin d'imprimer le panneau dont vous avez besoin, vous pouvez utiliser le modèle suivant.



Description des indicateurs

État de l'indicateur	État de la machine
Normalement allumé en blanc	Veille, réseau non connecté
Normalement allumé en vert	En veille, réseau connecté
Clignotant en bleu	La machine est dans l'un des états suivants : 1. En fonctionnement 2. Encadrement
Clignotant en rouge	L'une des exceptions suivantes se produit : 1. La machine est déplacée pendant le travail. 2. La machine travaille hors ligne sans la carte TF. 3. La machine travaille hors ligne avec la carte TF mais aucun fichier de conception n'est trouvé.

Réglages recommandés pour les matériaux

Remarque : Les réglages sont testés dans un environnement de laboratoire et ne sont donnés qu'à titre indicatif.

xTool D1-5W (puissance du laser de 5 watts)

	Nom	Puissance (%)	Vitesse (mm/m)	Vitesse (mm/s)	Nombre de fois
Pour la découpe	Papier ondulé de 3,5 mm	100%	300	5	1
	Tilleul 3 mm	100%	240	4	1
	Tilleul 4mm	100%	120	2	1
	Tilleul 5mm	100%	120	2	1
	Cuir artificiel 0,7 mm	100%	720	12	1

	Nom	Puissance (%)	Vitesse (mm/m)	Vitesse (mm/s)	Nombre de fois
Pour la gravure	Tilleul	95%	4200	70	1
	Papier ondulé de 3,5 mm	60%	6000	100	1
	Cuir artificiel	85%	6000	100	1
	Acier inoxydable	100%	300	5	1
	Métal revêtu	100%	3600	60	1

xTool D1-10W (puissance du laser de 10 watts)

	Nom	Puissance (%)	Vitesse (mm/m)	Vitesse (mm/s)	Nombre de fois
Pour la découpe	Papier ondulé de 3,5 mm	100%	540	9	1
	Tilleul 3 mm	100%	300	5	1
	Tilleul 4mm	100%	180	3	1
	Tilleul 5mm	100%	120	2	1
	Cuir artificiel 0,7 mm	95%	1200	20	1

	Nom	Puissance (%)	Vitesse (mm/m)	Vitesse (mm/s)	Nombre de fois
Pour la gravure	Tilleul	75%	6000	100	1
	Papier ondulé de 3,5 mm	40%	6000	100	1
	Cuir artificiel	50%	6000	100	1
	Acier inoxydable	100%	720	12	1
	Métal revêtu	100%	4200	70	1

Services après-vente

Pour obtenir une assistance technique, contactez-nous à l'adresse support@xtool.com.

Pour plus d'informations sur les services après-vente, visitez support.xtool.com.

FAQs

1. Comment positionner manuellement le laser du xTool D1 ?

- (1) Poser le télémètre et desserrer la vis à ailettes située à gauche du laser.
- (2) Faire glisser le laser vers le haut ou vers le bas pour placer la tige de mesure sur le matériau à traiter.
- (3) Serrer la vis à ailettes et remettre la barre de mesure en place.

2. Lorsque j'installe le logiciel sur le PC, il y a un message indiquant que le logiciel n'est pas téléchargé depuis l'app store.

- (1) Visiter le site support.xtool.com et rechercher le **malware blocking**, et suivre les instructions pour installer le logiciel.

(2)

(3) 

3. L'appareil ne peut pas se connecter à mon PC via un port USB, que puis-je faire ?

Cause possible : Le pilote CH340 n'a pas été installé avec succès.

Pour Windows

Pour macOS

Après avoir téléchargé et installé le pilote, redémarrez votre PC et votre machine.

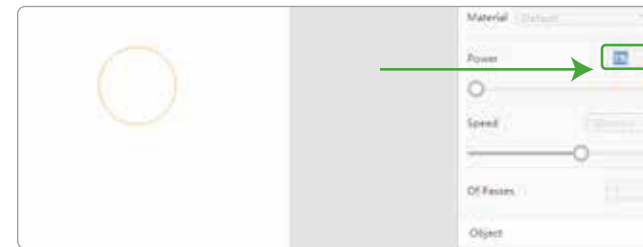
4. xTool D1 fonctionne sans lumière laser.

Causes possibles :

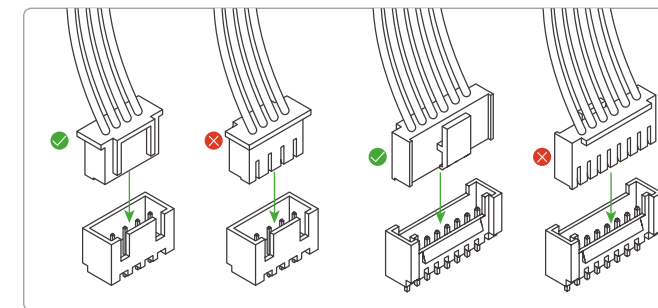
- Le réglage de la puissance est trop faible.
- Le câble de connexion du laser se desserre.
- Le câble de connexion du laser est inséré à l'envers dans la carte de commande principale.

Solution :

- (1) Vérifier le réglage de la puissance. S'il est réglé sur 1% ou sur une faible valeur, réglez-le sur une valeur plus élevée.



- (2) Si le problème persiste, débrancher et rebrancher les câbles de connexion de la carte de commande principale.



- (3) Dans le cas où le problème persiste, débrancher et rebrancher le câble de connexion du laser et vérifier si les câbles sont endommagés.

5. Après l'assemblage de la machine, l'axe X ne peut pas bouger pendant le travail, pourquoi ?

Causes possibles :

Le câble du moteur de l'axe X se desserre ou la courroie de distribution n'est pas installée correctement.

Solution :

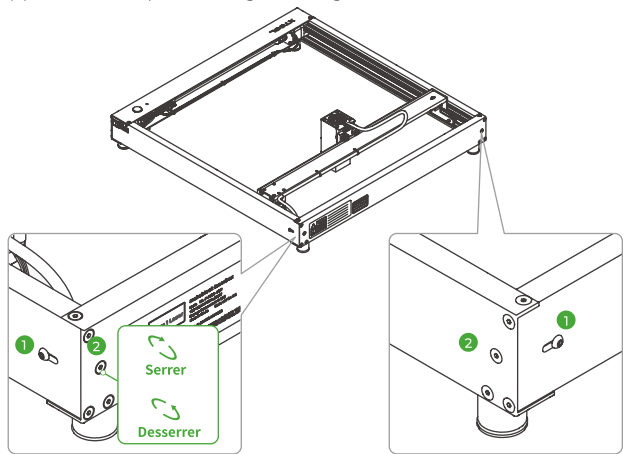
- Vérifiez les deux extrémités du câble du moteur de l'axe X. S'il se desserre ou n'est pas inséré en place, le rebrancher correctement.
- Retourner la machine et contrôler la courroie de synchronisation de l'axe X. La réinstaller si elle n'est pas installée correctement.

6. Comment régler le serrage des courroies de distribution ?

Courroie de l'axe Y

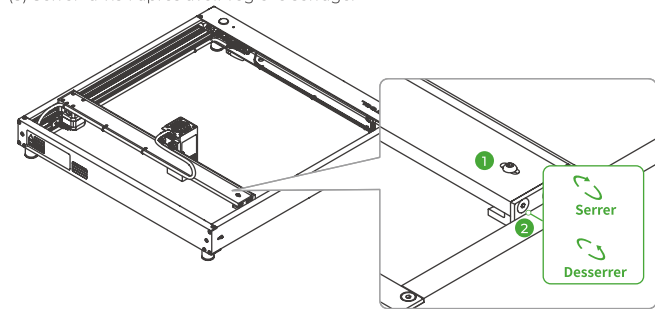
- (1) Desserrer la vis 1, puis tournez la vis 2 pour régler le serrage.
- (2) Tourner la vis dans le sens horaire pour serrer la courroie, et la tourner dans le sens antihoraire pour la desserrer.
- (3) Veillez à régler à l'aide du même serrage les courroies de distribution des plaques gauche et droite.

(4) Serrer la vis 1 après avoir réglé le serrage.



Courroie de l'axe X

- (1) Desserrez la vis 1.
- (2) Tourner la vis 2 dans le sens antihoraire pour serrer la courroie, et la tourner dans le sens antihoraire pour la desserrer.
- (3) Serrer la vis 1 après avoir réglé le serrage.



7. Après avoir été gravé, un motif est déformé, pourquoi ?

Cause possible :

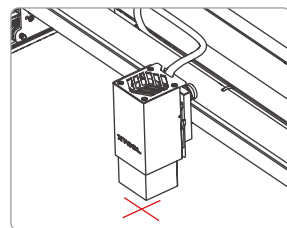
La courroie de distribution est réglée trop serrée.

Solution :

Vérifier les courroies de distribution sur l'axe x et l'axe y. Tenir les parties supérieure et inférieure d'une courroie avec les doigts pour en sentir le serrage. Si elle est trop lâche ou trop serrée, se reporter à la FAQ précédente pour régler le serrage.

8. Pourquoi la croix rouge ne se trouve-t-elle pas sous le centre de la tête du laser ?

Il y a un espace de 16 mm entre les faisceaux lumineux de la croix rouge et le point d'émission de la lumière laser. La croix rouge est utilisée pour le cadrage. Le laser se déplace de 16 mm vers la gauche le long de l'axe x au début du travail. En raison de la réfraction de la hotte lumineuse, les lignes de la croix rouge ne sont pas droites. Cela n'affecte pas la gravure.



9. Le Wi-Fi ne peut pas être connecté automatiquement après la configuration, pourquoi ?

Causes possibles :

L'adresse IP du réseau Wi-Fi a été modifiée. Lorsque vous redémarrez la machine, l'adresse IP utilisée n'est pas la même que celle utilisée pour la configuration du réseau Wi-Fi.

xTool D1 se connecte au réseau Wi-Fi en fonction de l'adresse IP.

Solution :

- Afin de connecter à nouveau votre machine, vous pouvez utiliser votre téléphone mobile pour définir un hotspot, configurer le réseau Wi-Fi et redémarrer le logiciel.
- Définir une adresse IP fixe pour le réseau Wi-Fi.

10. Comment entretenir la machine ? À quelle fréquence ?

La tige coulissante est un arbre optique chromé. Il est nécessaire d'appliquer régulièrement du lubrifiant sur l'arbre optique pour éviter la rouille. Les détails sont décrits ci-dessous :

Périodes :

Appliquer généralement la graisse après avoir utilisé la machine pendant 15 jours à 2 mois :

- Utilisation fréquente, fonctionnement pendant plus de 8 heures par jour. Au moins une fois tous les 15 jours, vous devez appliquer de la graisse ;
- Utilisation moins fréquente, ne fonctionnant pas plus de 2 heures par jour. Au moins une fois tous les 2 mois, il faudra le graisser.
- En cas d'encrassement de la tige coulissante ou de présence d'impuretés. Nettoyer la surface de la tige optique, puis y appliquer de la graisse.

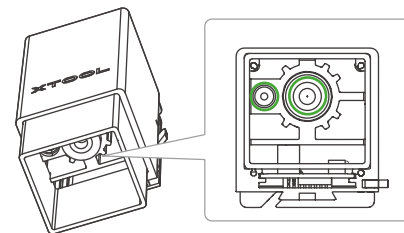
Précautions à prendre pour la maintenance :

- Nettoyer, avant la maintenance, la saleté et les impuretés de la surface de l'arbre optique,
- Lors de la maintenance, s'assurer que la graisse est appliquée uniformément, essuyer l'excès de graisse et s'assurer que l'arbre optique est propre et exempt d'impuretés.
- Après l'entretien, pousser et tirer manuellement les profilés de l'axe X et de l'axe Y pour assurer un fonctionnement régulier sans bourrage.
- La maintenance concerne les arbres optiques sur l'axe x et l'axe y, quatre au total.

11. Dois-je nettoyer le laser ? Si oui, à quelle fréquence ?

Lorsque l'écran de protection est sale ou que le laser ne parvient pas à découper les matériaux, il faut nettoyer la tête du laser.

- Débrancher la machine de l'alimentation électrique et retirer la tête laser de la machine.
- Nettoyer les cadres intérieur et extérieur de l'écran de protection avec des mouchoirs en papier ou un chiffon non poussiéreux imbibé d'alcool.
- Nettoyer le prisme du laser et le point d'émission du laser infrarouge à l'aide d'un coton-tige imbibé d'alcool.



Regarder la vidéo à l'adresse suivante pour plus de détails: youtu.be/lh53_cg6tW0

12. Autres problèmes

En cas d'incapacité à résoudre vos problèmes, vous pouvez nous contacter pour un service après-vente via support@xtool.com. Bien vouloir inclure une vidéo du défaut, la version du micrologiciel de la machine et le SN de la machine dans le courriel.



Déclaration de conformité Makeblock Co., Ltd. déclare par la présente que ce produit est conforme aux principales exigences et autres dispositions pertinentes de la directive Directive RED 2014/53/UE et de la directive RoHS 2011/65/UE & (EU) 2015/863.

Déclaration



- Merci d'avoir choisi les produits xTool !
- En cas de première utilisation du produit, lisez attentivement tous les documents d'accompagnement du produit afin d'améliorer votre expérience avec celui-ci. A l'exception des pertes causées par une installation ou une utilisation incorrecte par le personnel d'entretien professionnel de Makeblock, Makeblock Co., Ltd. ne sera pas responsable des pertes qui résulteront d'une utilisation incorrecte du produit selon les instructions et les exigences du manuel, ou d'une mauvaise utilisation du produit en raison d'un malentendu de votre part.

- Makeblock Co., Ltd. a rassemblé le contenu du manuel avec rigueur et attention, mais il est possible qu'il subsiste des erreurs ou des omissions.
- Makeblock Co., Ltd. s'engage à améliorer continuellement les fonctions des produits et la qualité du service, et se réserve donc le droit de modification de tout produit ou logiciel décrit dans le manuel et le contenu du manuel à tout moment sans préavis.
- Le manuel est destiné à vous aider à utiliser le produit correctement et ne comprend aucune description de la configuration matérielle et logicielle. Reportez-vous au contrat correspondant (le cas échéant) et à la liste de colisage pour la configuration du produit, ou consultez votre distributeur. Les images du manuel sont fournies à titre de référence uniquement et le produit réel peut varier.
- Le manuel étant protégé par les lois et réglementations sur les droits d'auteur, il ne doit pas être reproduit ou transcrit de quelque manière que ce soit, ni transmis sur un réseau câblé ou sans fil de quelque manière que ce soit, ni traduit dans une langue quelconque sans l'autorisation écrite préalable de Makeblock Co., Ltd..

La sicurezza prima di tutto (importante)

PERICOLO - RADIAZIONI LASER VISIBILI

EVITARE L'ESPOSIZIONE DEGLI OCCHI O DELLA PELLE A RADIAZIONI DIRETTE O DISPERSE PRODOTTO LASER DI CLASSE 4

	<p>Avvertenza</p> <p>Se non si seguono le istruzioni o i principi di funzionamento, possono verificarsi lesioni fisiche o danni alla macchina.</p>
	<p>Avvertenza</p> <p>La luce laser potrebbe causare lesioni fisiche o danni alla macchina se non si seguono le istruzioni o i principi di funzionamento.</p>

1. Sicurezza generale


Leggere e acquisire familiarità con tutte le precauzioni e le procedure di sicurezza prima di utilizzare la macchina. Seguire rigorosamente tutte le precauzioni di sicurezza e assicurarsi che la macchina sia correttamente assemblata e funzioni correttamente.

 Seguire i principi di funzionamento:

- Controllare sempre che la macchina non presenti danni prima di utilizzarla. Non utilizzarla se si riscontrano danni o difetti.
- Assicurarsi che l'area di lavoro sia pulita e piana.
- Non smontare la macchina o modificarne in alcun modo la struttura senza autorizzazione. Non modificare o decompilare il sistema operativo.
- Mantenere pulita l'area operativa della macchina. I residui e i trucioli accumulati durante il taglio e l'incisione sono pericolosi e possono causare incendi. Pulire regolarmente la macchina.
- La macchina funziona correttamente a una temperatura compresa tra 0 °C e 35 °C e può essere conservata correttamente a una temperatura compresa tra 0 °C e 45 °C. Non azionarla a una temperatura inferiore a 0 °C.

2. Sicurezza laser

Generalmente, il laser funziona con un involucro e uno schermo luminoso. xTool D1 è dotato di un interruttore di interblocco di sicurezza. Se xTool D1 viene spostato durante il lavoro, il laser smette di emettere luce e non causa danni al corpo umano. Anche se è previsto un cappuccio per proteggere l'utente da una certa quantità di luce laser, è comunque necessario indossare gli occhiali di protezione per proteggere gli occhi.

 Seguire le precauzioni di sicurezza:

- Non utilizzare la macchina se una parte di essa viene rimossa. La rimozione di qualsiasi parte può esporre il sistema laser e causare danni alla macchina.
- Non incidere o tagliare materiali contenenti PVC o vinile (si sconsiglia l'uso di materiali plastici). Questi materiali (e altri materiali contenenti cloro/cloruro) possono generare vapori corrosivi estremamente dannosi per il corpo umano e possono causare danni alla macchina. Qualsiasi danno causato dall'incisione o dal taglio di qualsiasi materiale contenente PVC o vinile non è coperto dalla garanzia di Makeblock.
- Non incidere o tagliare materiali sconosciuti. La vaporizzazione/fusione di molti materiali, che includono ma non sono limitati a PVC e policarbonato, può rilasciare fumo nocivo.
- Non lasciare la macchina incustodita quando è in funzione. Prestare attenzione al corretto funzionamento.

3. Sicurezza antincendio

Quando la macchina taglia o incide un materiale, un raggio laser ad alta densità viene diretto sul materiale, riscaldando la superficie del materiale per vaporizzarlo senza bruciarlo. Tuttavia, la maggior parte dei materiali è intrinsecamente infiammabile e può dare origine a una fiamma aperta in grado di bruciare la macchina (anche se composta da materiali ignifughi) e l'ambiente circostante. Dalla nostra esperienza, l'utilizzo del laser per eseguire il taglio vettoriale possiede una probabilità molto alta di produrre una fiamma aperta.

 Leggere attentamente le seguenti avvertenze e suggerimenti:

- Assicurarsi che l'area di lavoro sia ben ventilata, in modo che il fumo possa essere evacuato correttamente.
- Non impilare materiali (specialmente quelli organici, come la carta) intorno alla macchina. Possono causare la propagazione delle fiamme e aumentare il rischio di accensione del materiale.
- Non lasciare la macchina incustodita quando è in funzione. Se la macchina funziona con impostazioni errate e viene lasciata incustodita per un lungo periodo di tempo, o se si verifica un guasto meccanico o elettrico, potrebbe verificarsi un incendio.
- Pulire regolarmente la macchina. Un eccessivo accumulo di residui e trucioli derivanti dal taglio e dall'incisione può aumentare il rischio di incendio.
- Assicurarsi che l'area circostante la macchina sia pulita e priva di materiali infiammabili, esplosivi o solventi volatili, come acetone, alcol, o benzina. Tenere in dotazione un estintore ed eseguirne regolarmente la manutenzione e l'ispezione.

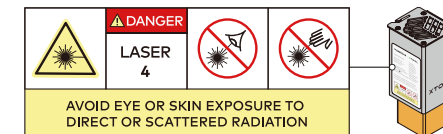
4. Sicurezza elettrica

 Leggere attentamente le seguenti avvertenze e suggerimenti:

- Non smontare la macchina quando è collegata a un alimentatore. In caso contrario, potrebbe verificarsi una scossa elettrica.
- Evitare il contatto delle aree elettroniche con le mani o altri strumenti quando la macchina è collegata a un alimentatore.

5. Segnali di avvertenza e istruzioni

Su xTool D1, sono segnalati attraverso etichette di avvertimento i luoghi in cui possono verificarsi lesioni fisiche o danni alla macchina prima e/o durante il funzionamento. Se un'etichetta di segnalazione viene danneggiata o persa, sostituirla immediatamente. È possibile utilizzare il modello seguente per stampare l'etichetta desiderata.



Descrizione dell'indicatore

Stato dell'indicatore	Stato della macchina
Normalmente bianco	Standby, rete non connessa
Normalmente verde fisso	Standby, connesso in rete
Lampeggiante in blu	La macchina si trova in uno dei seguenti stati: 1. In funzione 2. Inquadatura
Lampeggiante in rosso	Si verifica una delle seguenti eccezioni: 1. La macchina è stata spostata durante il lavoro. 2. La macchina funziona offline senza la scheda TF. 3. La macchina sta lavorando offline con la scheda TF ma non è stato trovato alcun file di progettazione.

Caratteristiche dei materiali consigliate

Nota: Le impostazioni sono testate in un ambiente di laboratorio e sono solo di riferimento.

xTool D1-5W (potenza laser di 5 watt)

	Denominazione	Potenza (%)	Velocità (mm/m)	Velocità (mm/s)	Numero di volte
Per taglio	Carta ondulata da 3,5 mm	100%	300	5	1
	Tiglio da 3 mm	100%	240	4	1
	Tiglio da 4mm	100%	120	2	1
	Tiglio da 5mm	100%	120	2	1
	Pelle artificiale 0,7 mm	100%	720	12	1

	Denominazione	Potenza (%)	Velocità (mm/m)	Velocità (mm/s)	Numero di volte
Per il graving	Tiglio	95%	4200	70	1
	Carta ondulata da 3,5 mm	60%	6000	100	1
	Pelle artificiale	85%	6000	100	1
	Acciaio Inox	100%	300	5	1
	Metallo rivestito	100%	3600	60	1

xTool D1-10W (potenza laser di 10 watt)

	Denominazione	Potenza (%)	Velocità (mm/m)	Velocità (mm/s)	Numero di volte
Per taglio	Carta ondulata da 3,5 mm	100%	540	9	1
	Tiglio da 3 mm	100%	300	5	1
	Tiglio da 4mm	100%	180	3	1
	Tiglio da 5mm	100%	120	2	1
	Pelle artificiale 0,7 mm	95%	1200	20	1

	Denominazione	Potenza (%)	Velocità (mm/m)	Velocità (mm/s)	Numero di volte
Per il graving	Tiglio	75%	6000	100	1
	Carta ondulata da 3,5 mm	40%	6000	100	1
	Pelle artificiale	50%	6000	100	1
	Acciaio Inox	100%	720	12	1
	Metallo rivestito	100%	4200	70	1

Servizi post-vendita

Per assistenza tecnica, contattateci per email: support@xtool.com

Per ulteriori informazioni sui servizi post-vendita, visitare support.xtool.com.

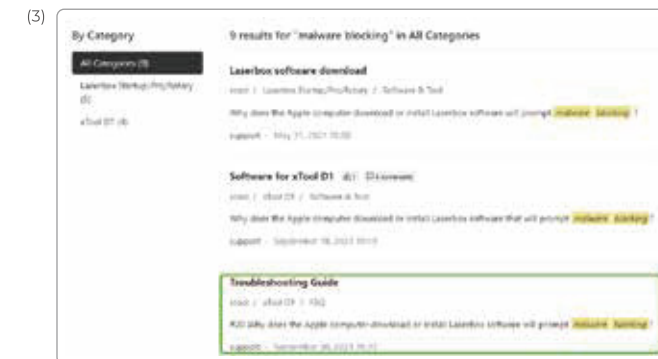
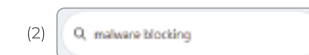
Domande frequenti (FAQ)

1. Come posizionare manualmente il laser di xTool D1?

- (1) Abbassare l'asta di regolazione e allentare la vite a testa zigrinata a sinistra del laser.
- (2) Far scorrere il laser verso l'alto o verso il basso per posizionare l'asta di regolazione direttamente sul materiale da lavorare.
- (3) Stringere la vite a testa zigrinata e riposizionare l'asta distanziatrice.

2. Quando si installa il software sul PC, viene visualizzato un messaggio che indica che il software non è stato scaricato dall'app

- (1) Visitare il sito Web support.xtool.com e cercare **malware blocking** e seguire le istruzioni per installare il software.



3. La macchina non può collegarsi al PC tramite una porta USB, cosa si può fare?

Possibile causa: Il driver CH340 non è stato installato correttamente.

Per windows wch-ic.com/downloads/CH341SER_EXE.html

Per macOS wch-ic.com/downloads/CH341SER_MAC_ZIP.html

Dopo aver scaricato e installato il driver, riavviare il PC e la macchina.

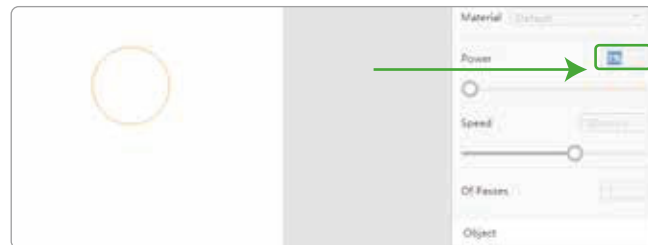
4. xTool D1 funziona senza luce laser.

Possibili cause:

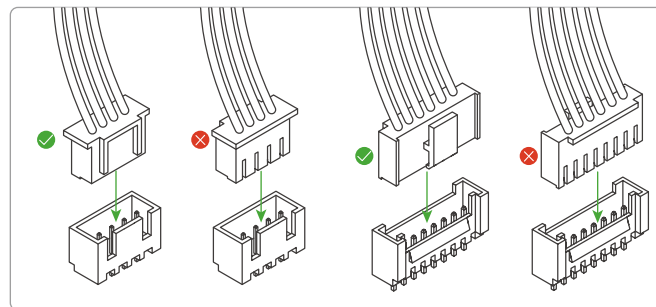
- L'impostazione della potenza è troppo bassa.
- Il cavo di collegamento del laser è allentato.
- Il cavo di collegamento del laser è stato inserito al contrario nella scheda di controllo principale.

Soluzione:

- (1) Controllare l'impostazione della potenza. Se è impostata su 1% o su un valore piccolo, impostarla su un valore maggiore.



- (2) Se il problema persiste, scollegare e collegare nuovamente i cavi di collegamento sulla scheda di controllo principale.



- (3) Se il problema persiste, scollegare e collegare nuovamente il cavo di collegamento del laser e verificare se i cavi sono danneggiati.

5. Dopo aver montato la macchina, l'asse X non può muoversi quando è in funzione, perché?

Possibili cause:

Il cavo del motore dell'asse X si è allentato o la cinghia di distribuzione non è installata correttamente.

Soluzione:

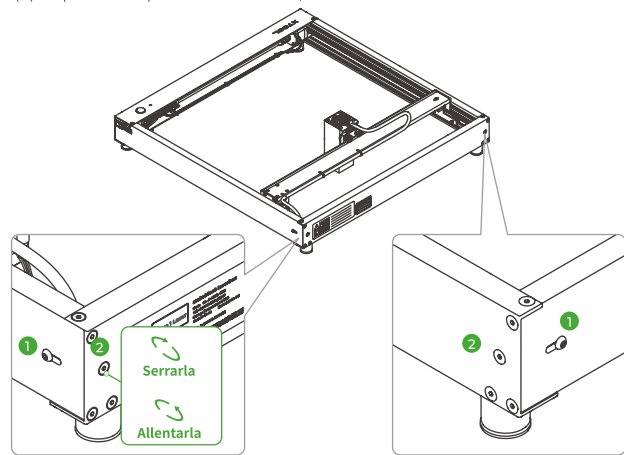
- Controllare entrambe le estremità del cavo del motore dell'asse X. Se è allentato o non è inserito in posizione, ricollegarlo correttamente.
- Capovolgere la macchina e controllare la cinghia di distribuzione dell'asse X. Se non è installata correttamente, reinstallarlo.

6. Come si imposta la tensione delle cinghie di distribuzione?

Cinghia asse Y

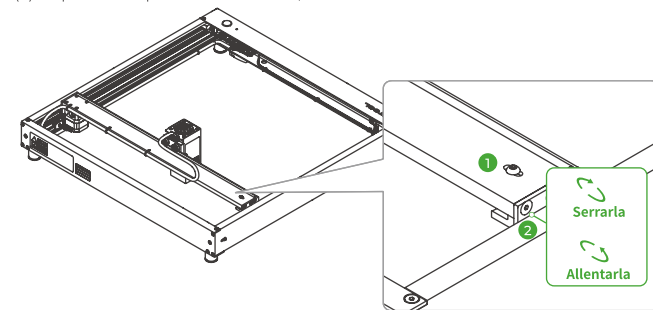
- (1) Allentare la vite 1, quindi ruotare la vite 2 per regolare la tensione.
- (2) Ruotare la vite in senso orario per tendere la cinghia e ruotarla in senso antiorario per allentarla.
- (3) Assicurarsi di regolare le cinghie di distribuzione sulle piastre sinistra e destra con la stessa tensione.

- (4) Dopo aver impostato la tensione, serrare la vite 1.



Cinghia asse X

- (1) Allentare la vite 1.
- (2) Ruotare la vite 2 in senso orario per tendere la cinghia e ruotarla in senso antiorario per allentarla.
- (3) Dopo aver impostato la tensione, serrare la vite 1.



7. Dopo l'incisione, un modello risulta deformato, perché?

Possibile causa:

La cinghia di distribuzione è troppo tesa.

Soluzione:

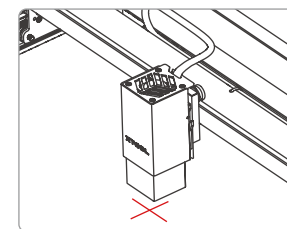
Controllare le cinghie di distribuzione sull'asse x e sull'asse y. Tendere le parti superiore e inferiore della cinghia con le dita per valutarne la tensione. Se è troppo allentata o tesa, fare riferimento alle FAQ precedenti per impostare la tensione.

8. Perché la croce rossa non si trova sotto il centro della testa laser?

Esiste una distanza di 16 mm tra i fasci luminosi che formano la croce rossa e il punto di emissione della luce laser. La croce rossa viene utilizzata per l'inquadratura.

Quando si inizia a lavorare, il laser si sposta di 16 mm a sinistra lungo l'asse x.

Le linee della croce rossa non sono diritte a causa della rifrazione della cappa luminosa. Ciò non influisce sull'incisione.



9. Perché non è possibile la connessione automatica Wi-Fi dopo la configurazione?

Possibili cause:

L'indirizzo IP della rete Wi-Fi è stato modificato. L'indirizzo IP utilizzato al riavvio della macchina non è lo stesso utilizzato per la configurazione della rete Wi-Fi. xTool D1 si connette alla rete Wi-Fi in base all'indirizzo IP.

Soluzione:

- È possibile utilizzare il telefono cellulare per impostare un hotspot, configurare la rete Wi-Fi e riavviare il software per collegare nuovamente la macchina.
- Impostare un indirizzo IP fisso per la rete Wi-Fi.

10. Come si esegue la manutenzione della macchina? Quante volte?

L'asta scorrevole è un albero ottica cromata. È necessario applicare regolarmente del lubrificante sull'albero ottico per evitare la ruggine. Di seguito vengono descritti i dettagli:

Frequenza:

In genere, applicare del grasso dopo aver utilizzato la macchina per un periodo che va da 15 giorni a 2 mesi:

- Per uso frequente, in funzione per più di 8 ore al giorno. È necessario applicare il grasso almeno una volta ogni 15 giorni;
- Per utilizzi meno frequenti, ovvero non più di 2 ore al giorno. È necessario applicare il grasso almeno una volta ogni 2 mesi.
- Se l'asta scorrevole è sporca o sono presenti impurità. Pulire la superficie dell'albero ottica e applicarvi del grasso.

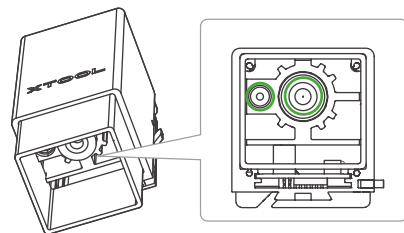
Precauzioni per la manutenzione:

- Prima della manutenzione, eliminare lo sporco e le impurità dalla superficie dell'albero ottica,
- Durante la manutenzione, assicurarsi che il grasso sia applicato in modo uniforme, rimuovere il grasso in eccesso e assicurarsi che l'albero ottica sia pulita e priva di impurità.
- Dopo la manutenzione, spingere e tirare manualmente i profili dell'asse X e dell'asse Y per garantire un funzionamento regolare senza inceppamenti.
- La manutenzione si deve eseguire sugli alberi ottici sull'asse x e sull'asse y, quattro in totale.

11. È necessario pulire il laser? Se sì, con quale frequenza?

La testa laser deve essere pulita quando lo schermo protettivo è sporco o quando il laser non riesce a tagliare i materiali.

- Scollegare la macchina dall'alimentazione elettrica e rimuovere la testa laser dalla macchina.
- Pulire i telai interno ed esterno dello schermo con fazzolettini o un panno privo di polvere inumidito con alcol.
- Pulire il prisma laser e il punto di emissione laser in infrarossi con un batuffolo di cotone inumidito con alcool.



Per ulteriori informazioni, guardare il video all'indirizzo: youtu.be/lh53_cg6tW0

12. Altri problemi

Se non riuscite a risolvere i problemi, contattateci per i servizi post-vendita all'indirizzo support@xtool.com. Includere nell'e-mail un video di descrizione dell'errore, la versione del firmware della macchina e il numero di serie della macchina.



Dichiarazione di conformità: la Makeblock Co., Ltd., con la presente dichiara che questo prodotto è conforme ai requisiti essenziali ed alle altre disposizioni pertinenti alla direttiva RED 2014/53/UE e della direttiva RoHS 2011/65/UE & (EU) 2015/863.



Dichiarazione

- Grazie per aver scelto i prodotti xTool!
- Se utilizzi il prodotto per la prima volta, leggi attentamente tutti i documenti forniti con il prodotto per un'esperienza migliore. Se non si utilizza il prodotto secondo le istruzioni e i requisiti del Manuale, o se si utilizza il prodotto in modo errato a causa di incomprensioni, ecc., Makeblock Co., Ltd. non si assume alcuna responsabilità per eventuali perdite derivate, ad eccezione di quelle causate da un'installazione o un funzionamento improprio in seguito alla manutenzione effettuata dal personale professionale di Makeblock.
- Makeblock Co., Ltd. ha redatto questo Manuale con rigore e attenzione, ma possono comunque essere presenti errori o omissioni.
- Makeblock Co., Ltd. si impegna a migliorare continuamente le funzioni del prodotto e la qualità del servizio, e pertanto si riserva il diritto di modificare qualsiasi prodotto o software descritto nel Manuale e il contenuto dello stesso in qualsiasi momento senza preavviso.
- Il Manuale ha lo scopo di aiutare l'utente a utilizzare correttamente il prodotto e non include alcuna descrizione della configurazione hardware e software. Per la configurazione del prodotto, fare riferimento al relativo contratto (se presente) e all'elenco di imballaggio oppure rivolgersi al distributore. Le immagini nel Manuale sono solo di riferimento e il prodotto reale può variare.
- Il Manuale è protetto dalle leggi e dai regolamenti sul copyright e non deve essere riprodotto o trascritto in alcun modo, né trasmesso su alcuna rete cablata o wireless in alcun modo, né essere tradotto in qualsiasi lingua senza la previa autorizzazione scritta di Makeblock Co., Ltd..

Veiligheid eerst (belangrijk)

GEVAAR-ZICHTBARE LASERSTRALING

VERMID BLOOTSTELLING VAN OGEN OF HUID MET DIRECTE OF INDIRECTE STRALING
KLASSE 4 LASERPRODUCT

	Waarschuwing Lichamelijk letsel of schade aan de machine kan veroorzaakt worden als u de instructies of principes niet volgt.
	Waarschuwing Lichamelijk letsel of schade aan de machine kan worden veroorzaakt door laserlicht als u de instructies of principes niet volgt.

1. Algemene veiligheid

Lees en maak u vertrouwd met alle veiligheidsvoorschriften en procedures voordat u de machine gebruikt. Volg alle veiligheidsvoorschriften strikt op en controleer of de machine goed gemonteerd is en goed werkt.

Volg de bedieningsprincipes:

- Controleer de machine op beschadigingen elke keer voordat u hem gebruikt. Laat het op geen enkele manier werken wanneer er schade of een defect wordt geconstateerd.
- Zorg ervoor dat de werkruimte schoon en vlak is.
- Demonteer het apparaat niet en verander de structuur niet zonder toestemming. Wijzig of decompileer het besturingssysteem niet.
- Houd het werkgebied van de machine schoon. Resten en spaanders die zich ophopen tijdens het snijden en graveren zijn gevaarlijk en kunnen brand veroorzaken. Maak de machine regelmatig schoon.
- Het apparaat werkt goed bij een temperatuur van 0 °C tot 35 °C en kan goed worden opgeslagen bij een temperatuur van 0 °C tot 45 °C. Gebruik het niet bij een temperatuur lager dan 0 °C.