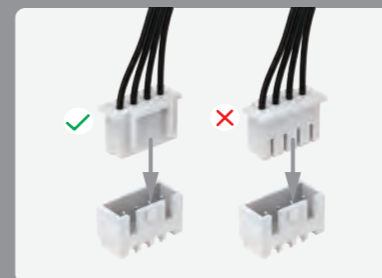
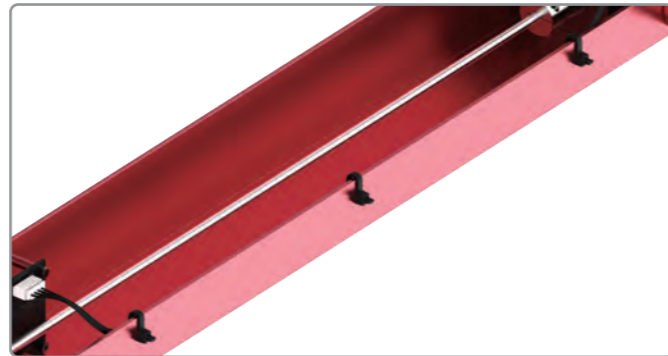


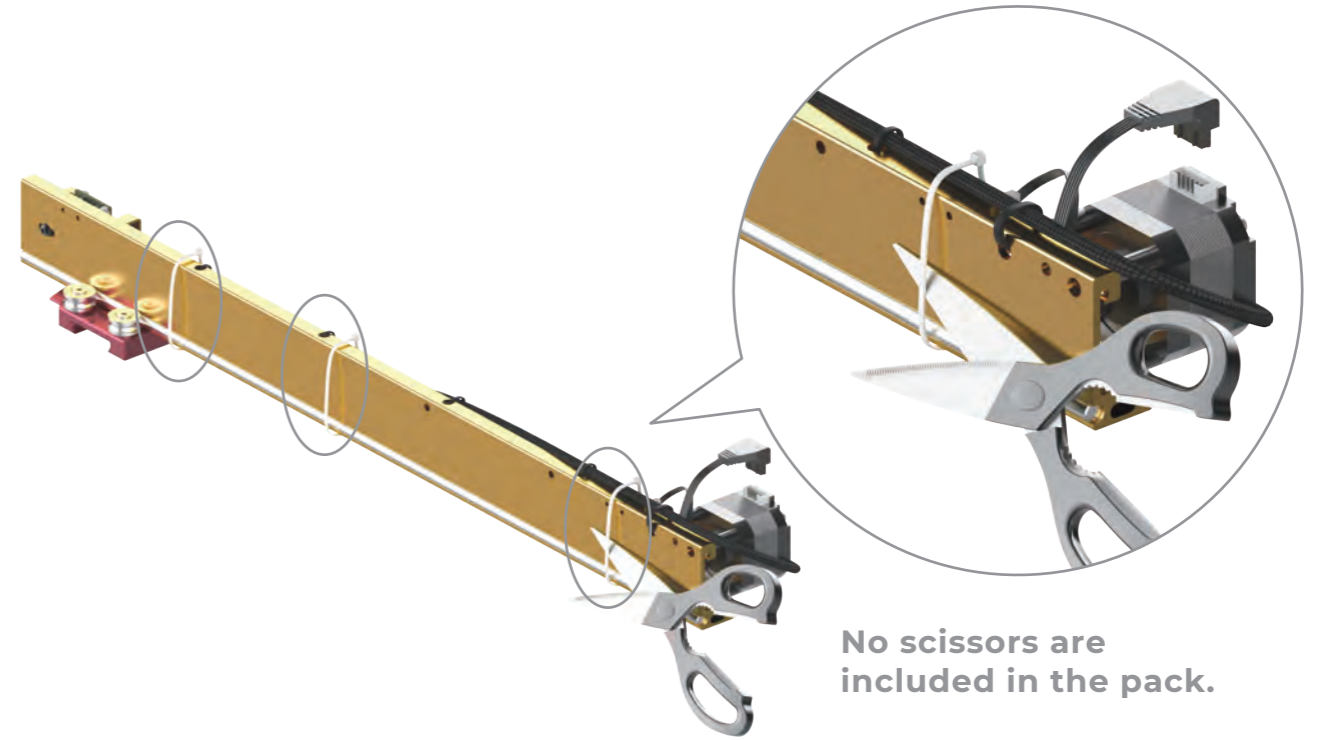
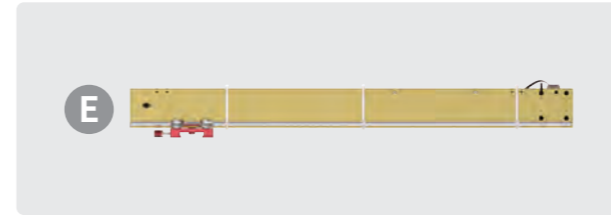
Fully tighten the two screws.



Pay attention to the front and back sides of the connector. Insert it properly.

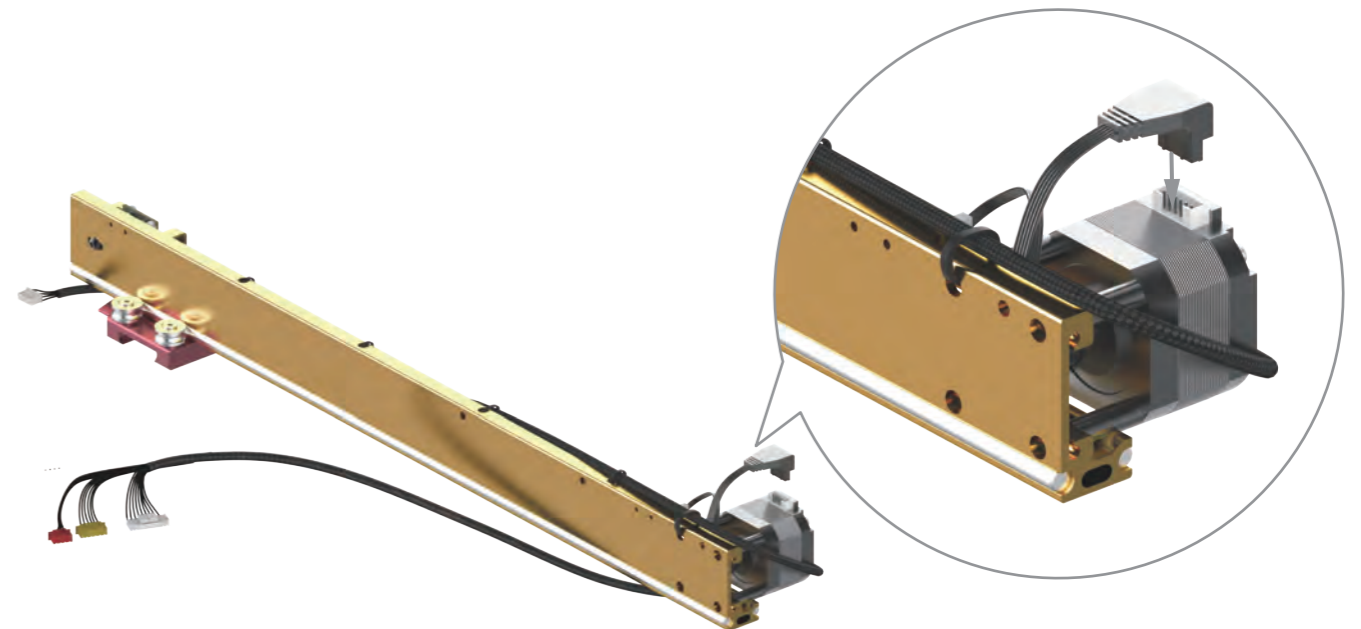


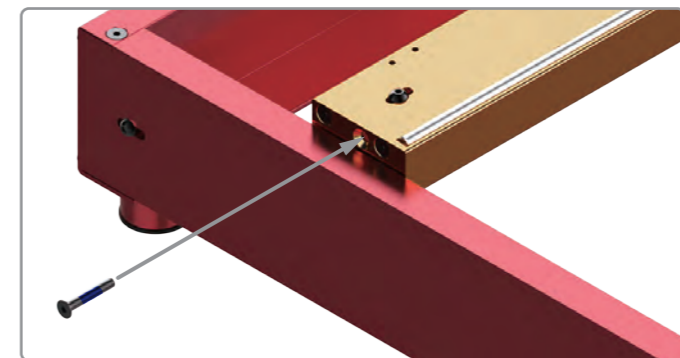
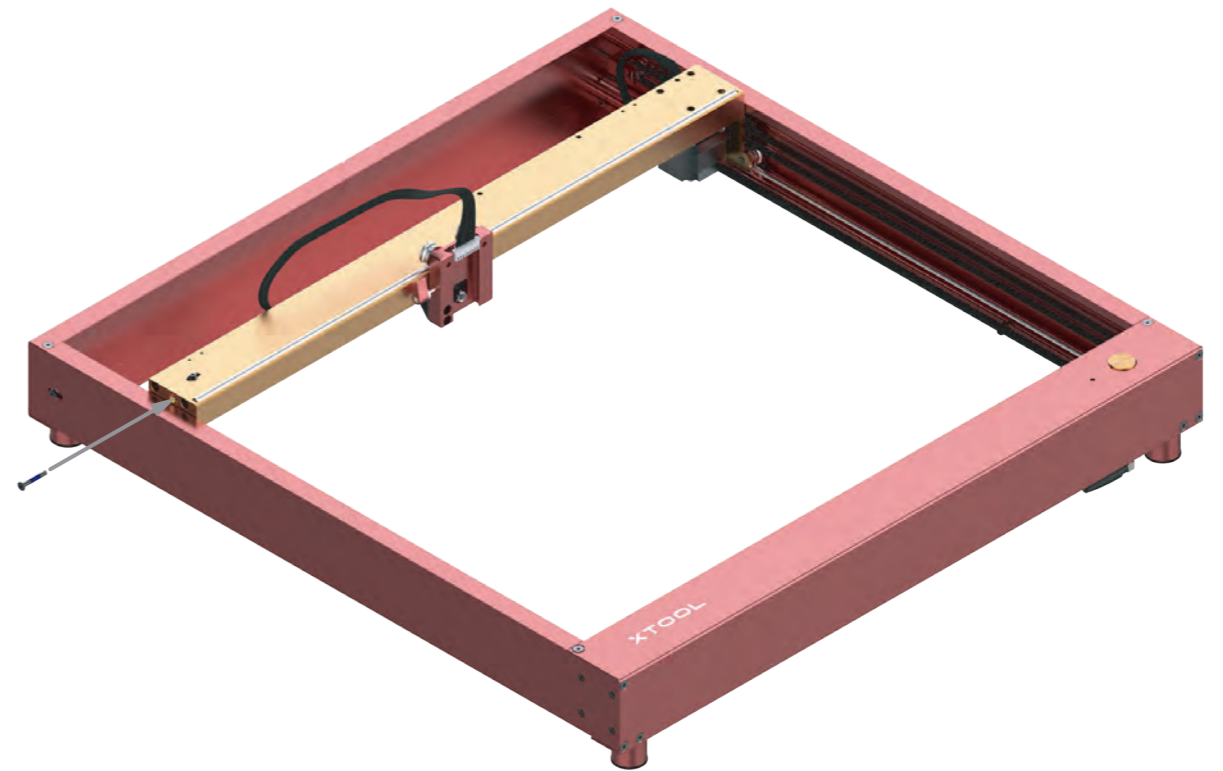
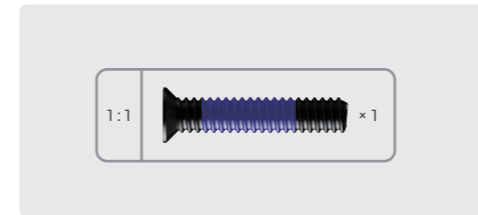
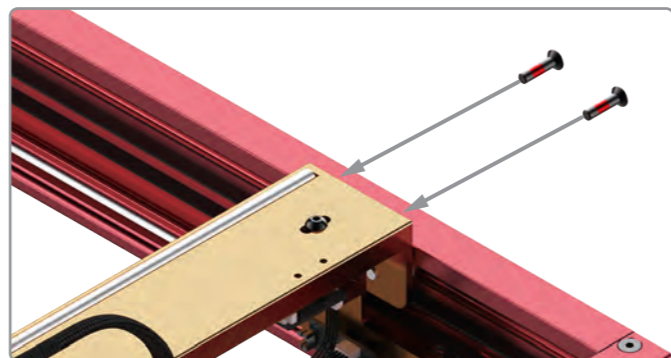
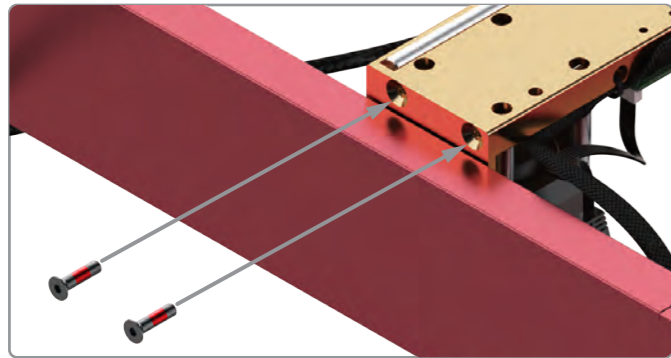
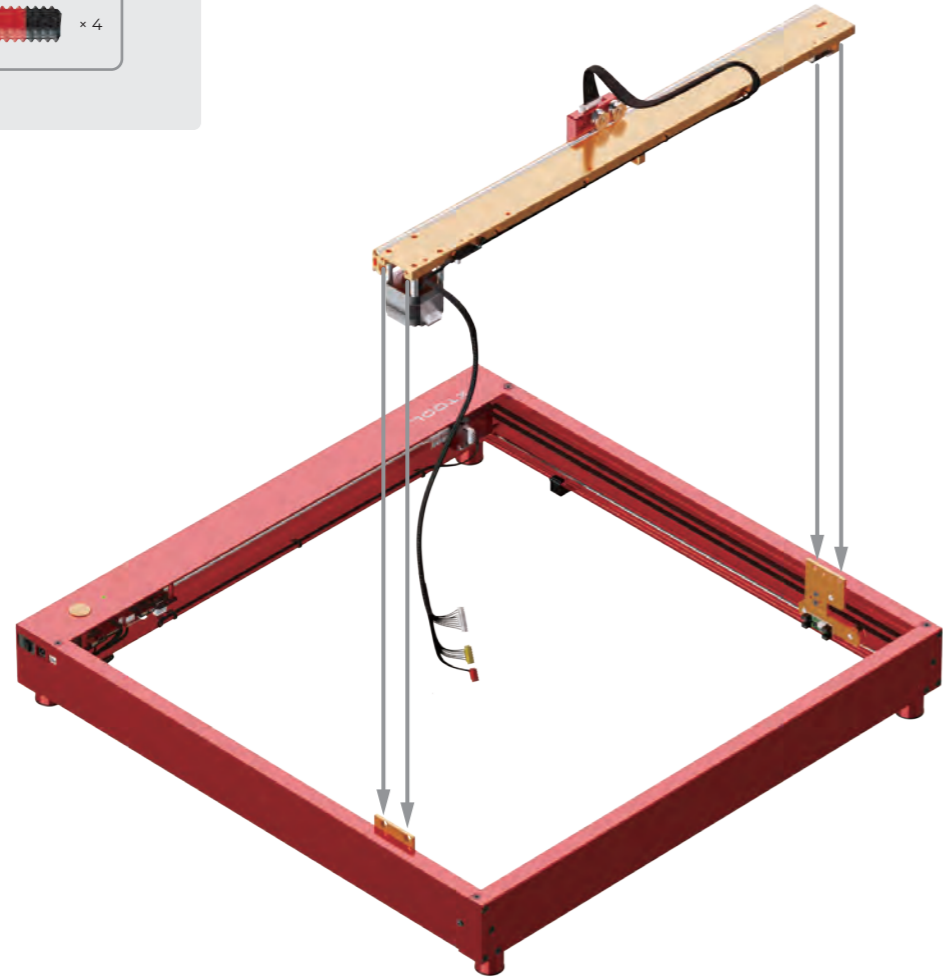
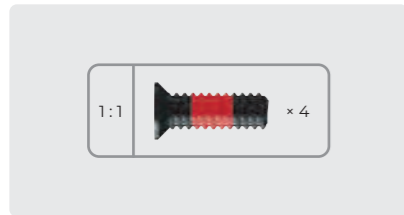
No scissors are included in the pack.



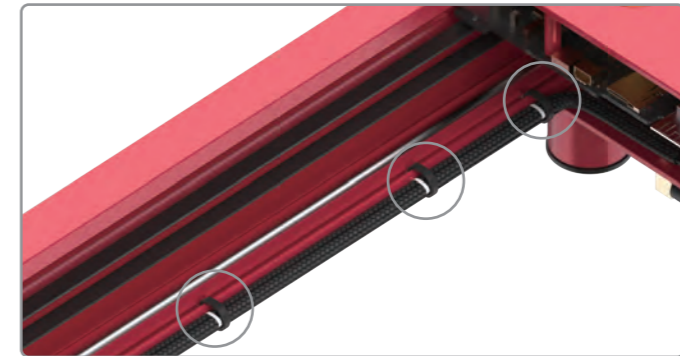
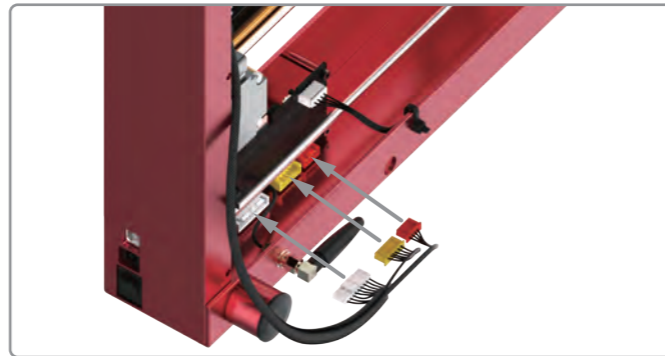
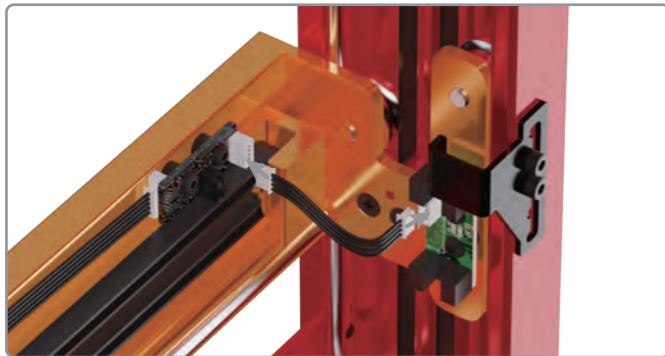
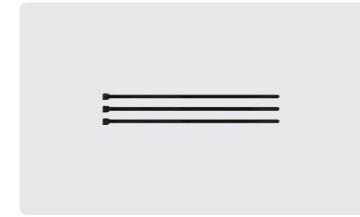
No scissors are included in the pack.

 Cut off the white cable ties, and keep the black ones.

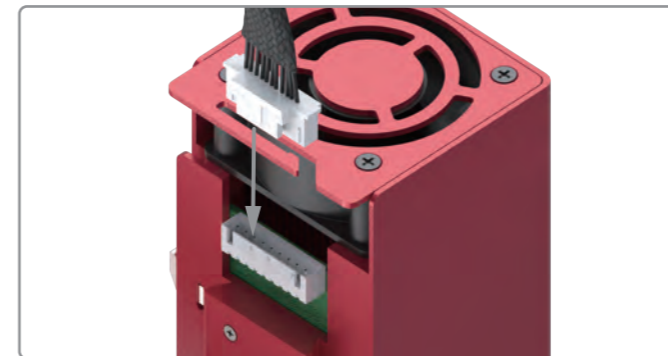
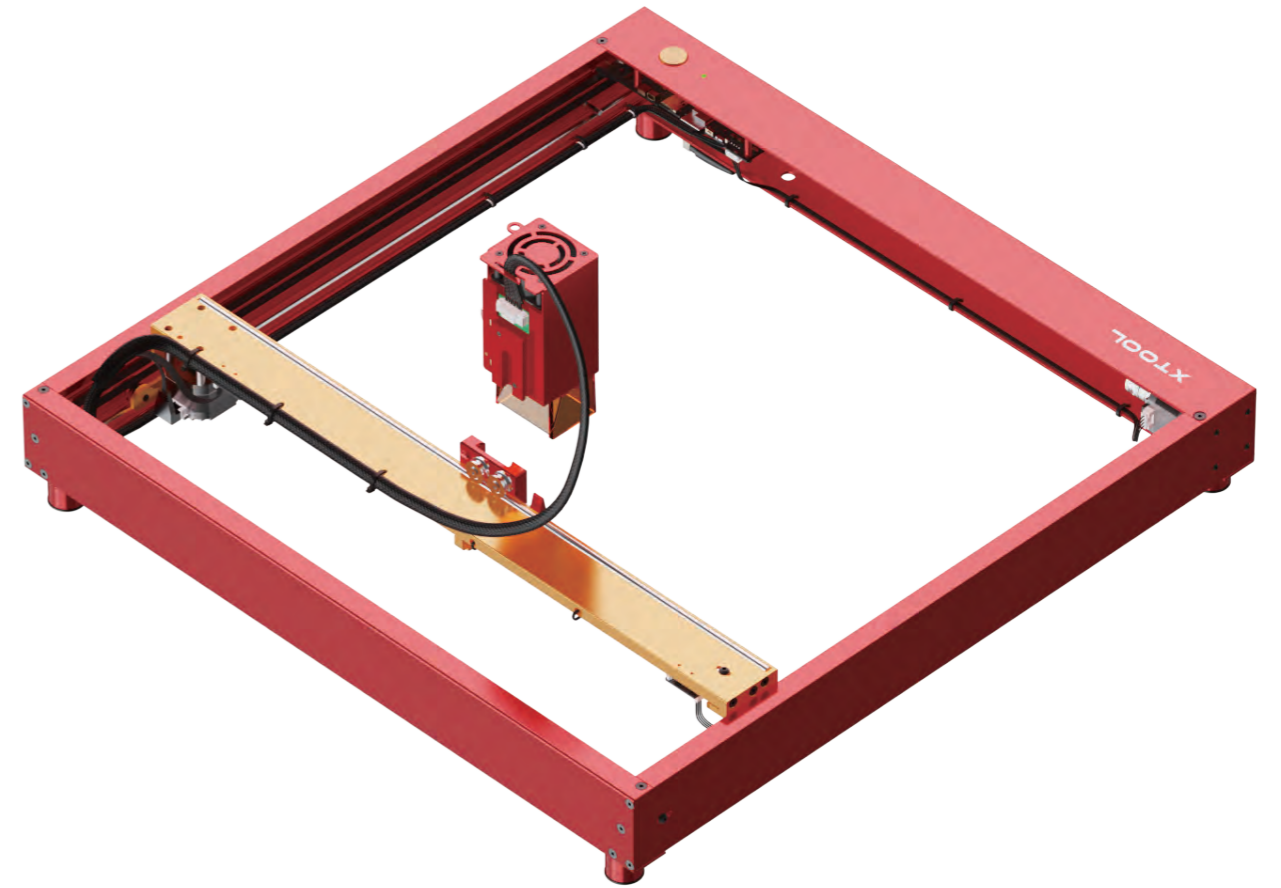
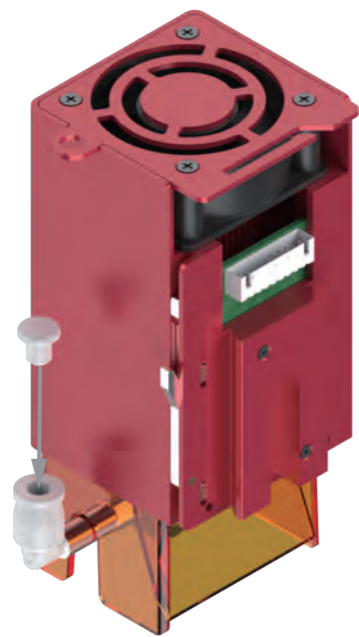
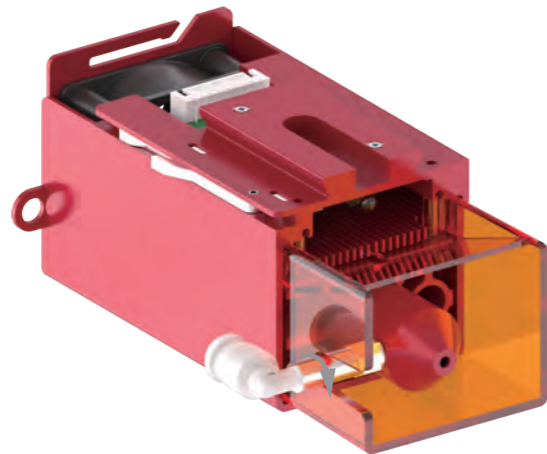
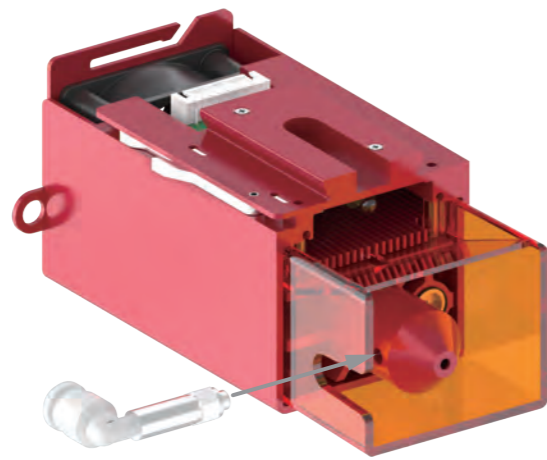




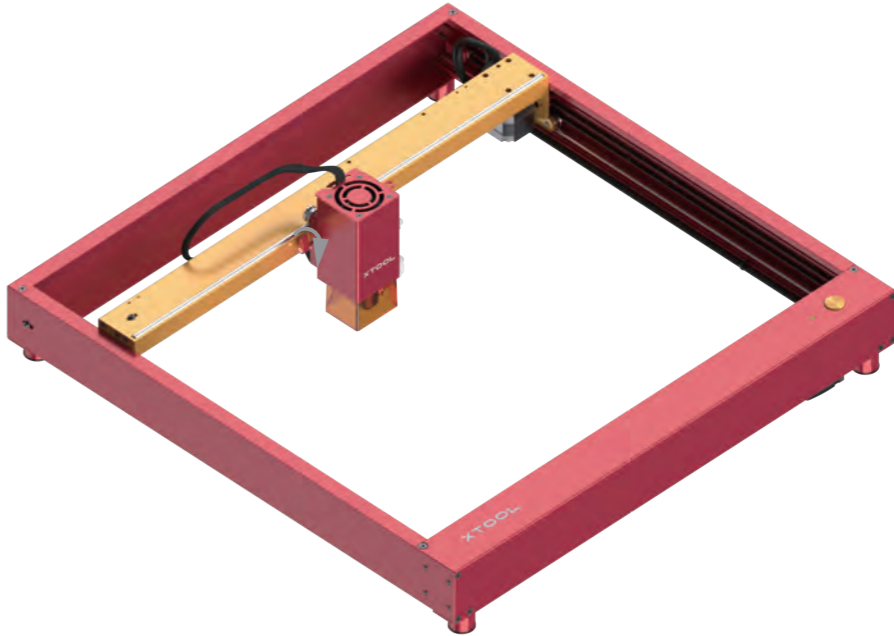
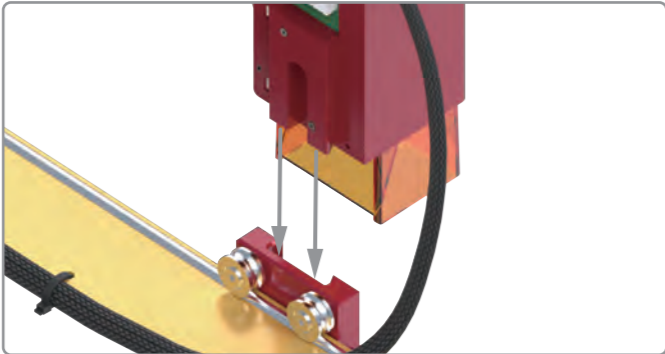
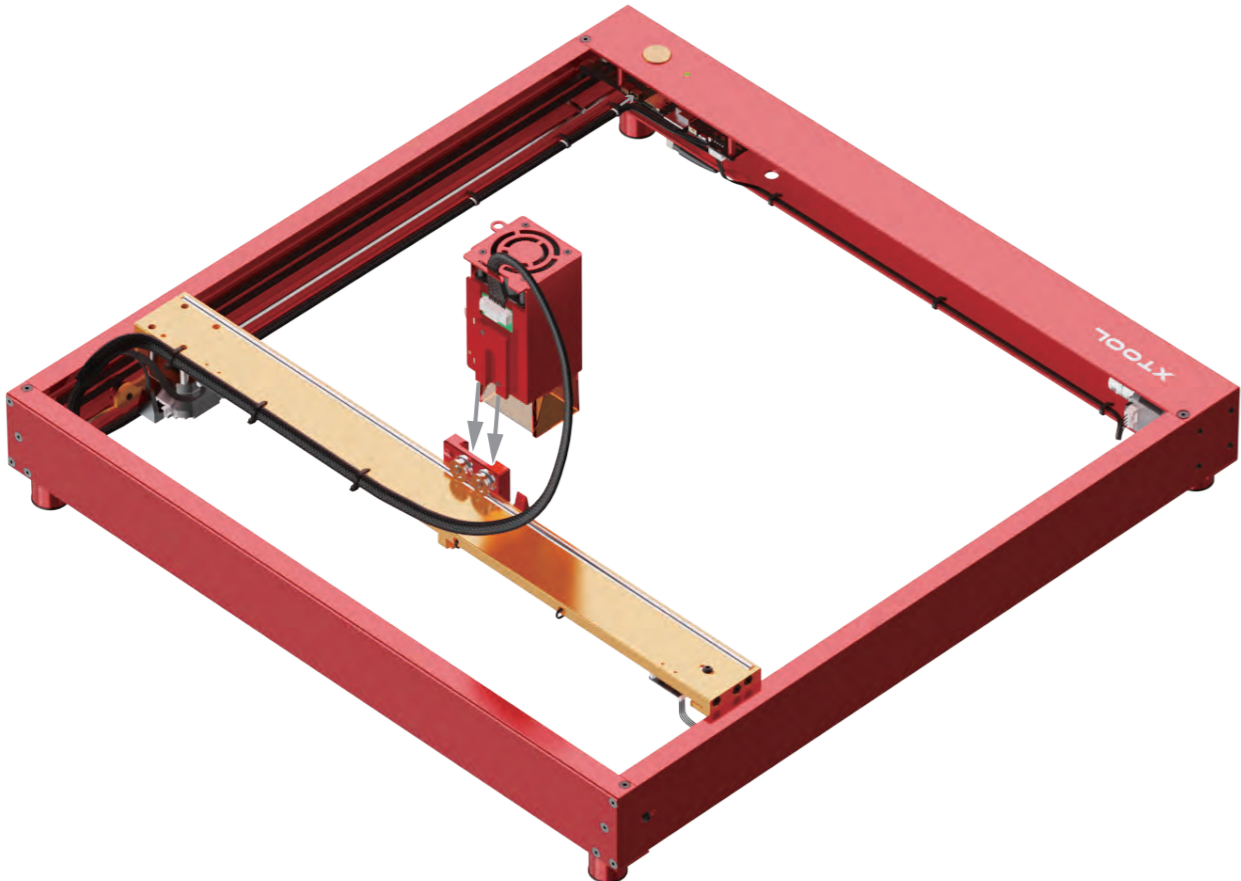
The screw is used to set the tension of the timing belt. Do not fully tighten it. Otherwise, the timing belt may be damaged.



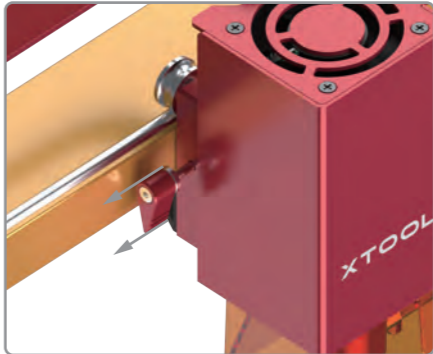
80% done!
Excited to see your laser cutter begins to take shape!
Success is just around the corner!



Use the thumb screw to fit the laser module



Turn the handle clockwise



Hold the handle to draw it away from the thread part



Rotate the handle to stop it from being blocked



Release the handle



Turn the handle clockwise again

 You may need to repeat this process multiple times to tighten the thumb screw.



Use the thumb screw



If the handle is blocked, you can tighten or loosen the screw as follows.



Hold the handle to draw it away from the thread part



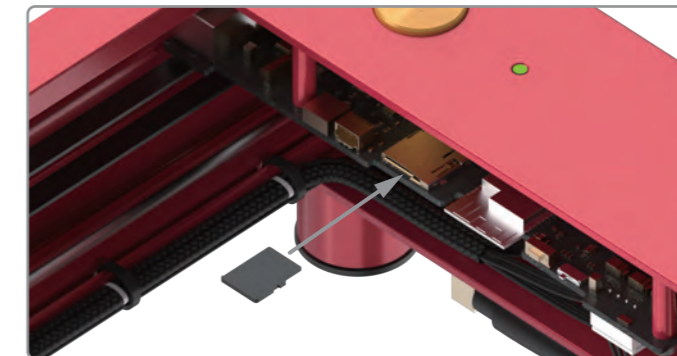
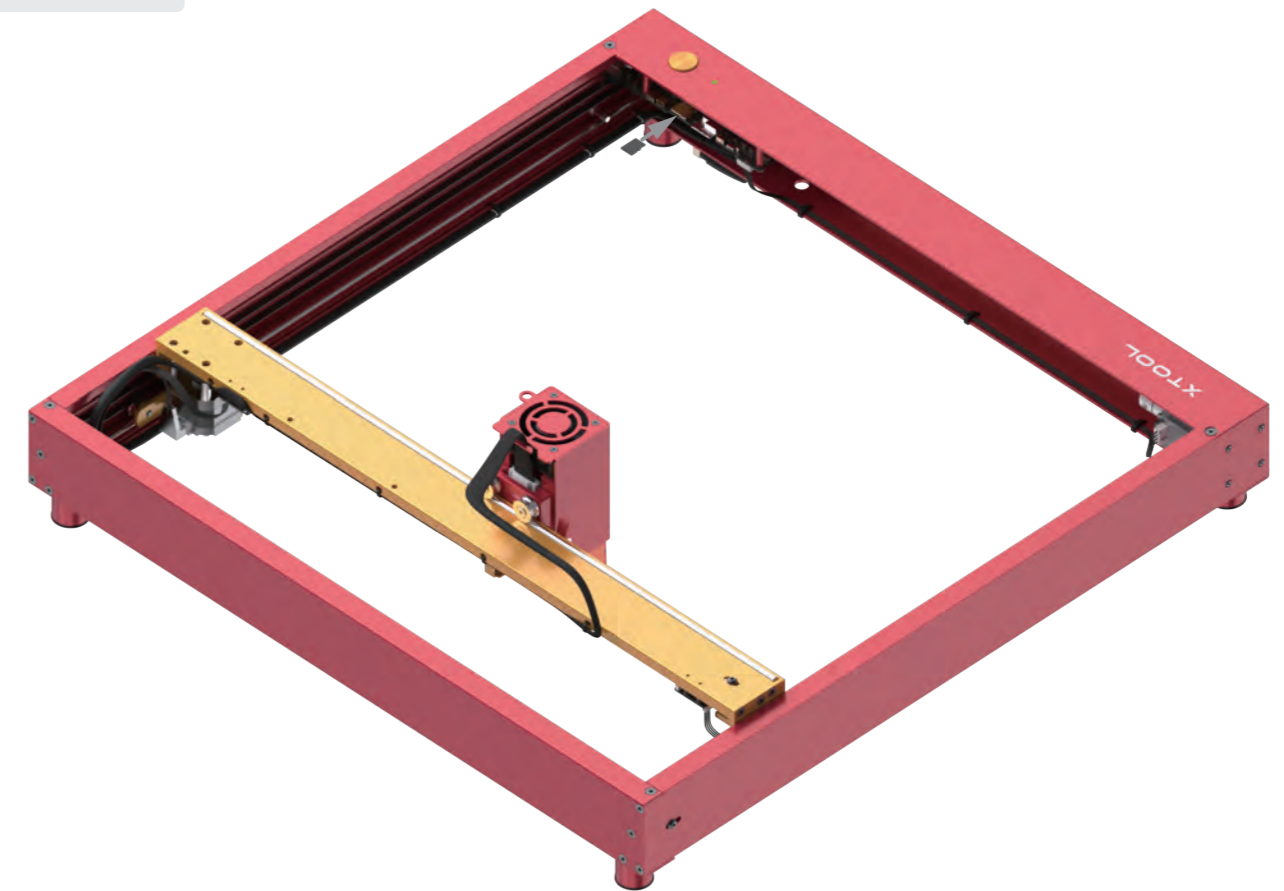
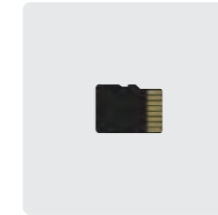
Rotate the handle to stop it from being blocked
The screw is not tightened or loosened.



Release the handle
The handle goes back to the default position.



Rotate the handle to tighten or loosen the screw



Insert the TF card before using xTool D1 Pro. Otherwise, some functions may fail, such as Wi-Fi connection-based processing, offline processing, and Framing in processing preview.



Congratulations!
You have completed the installation!
We've got a little surprise in our software to make your first project
creative and memorable.
Download the software and get the novice task!

Meet your xTool D1 Pro

