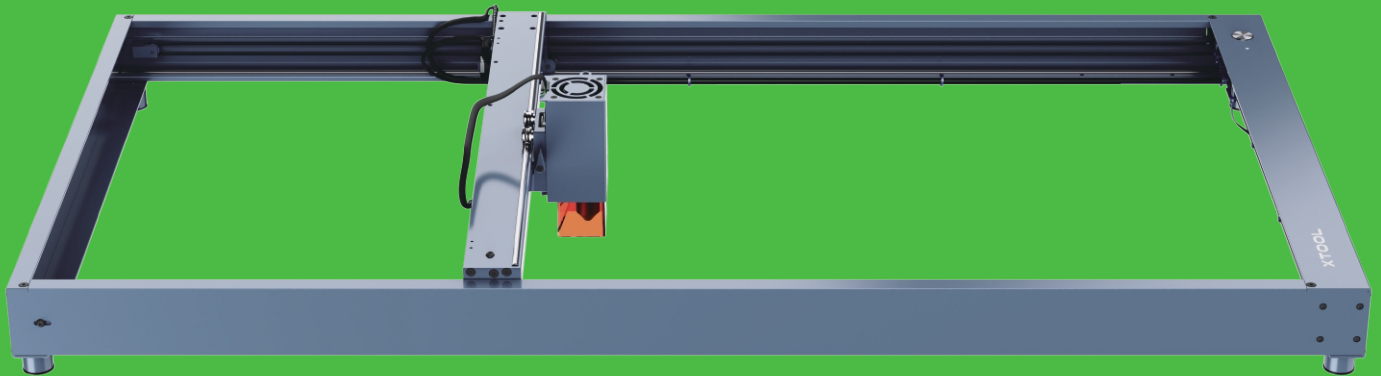


XTOOL

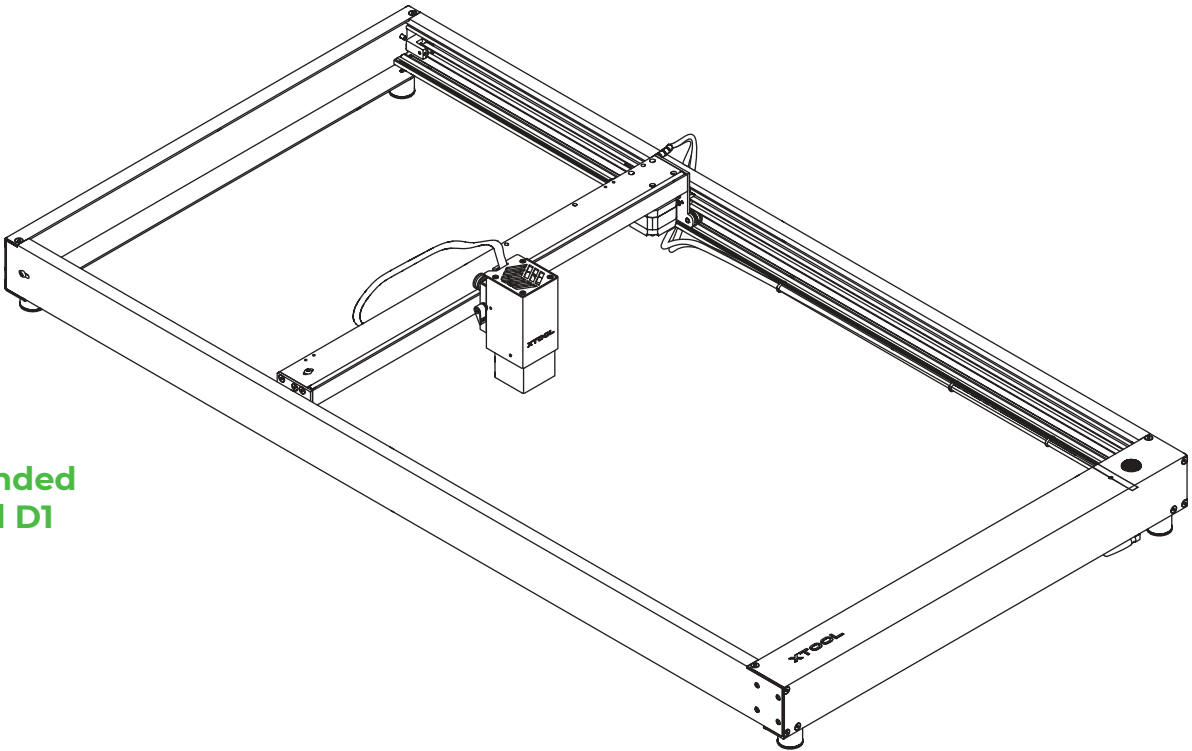
Assembly Guide

Extension Kit for xTool D1 & D1 Pro

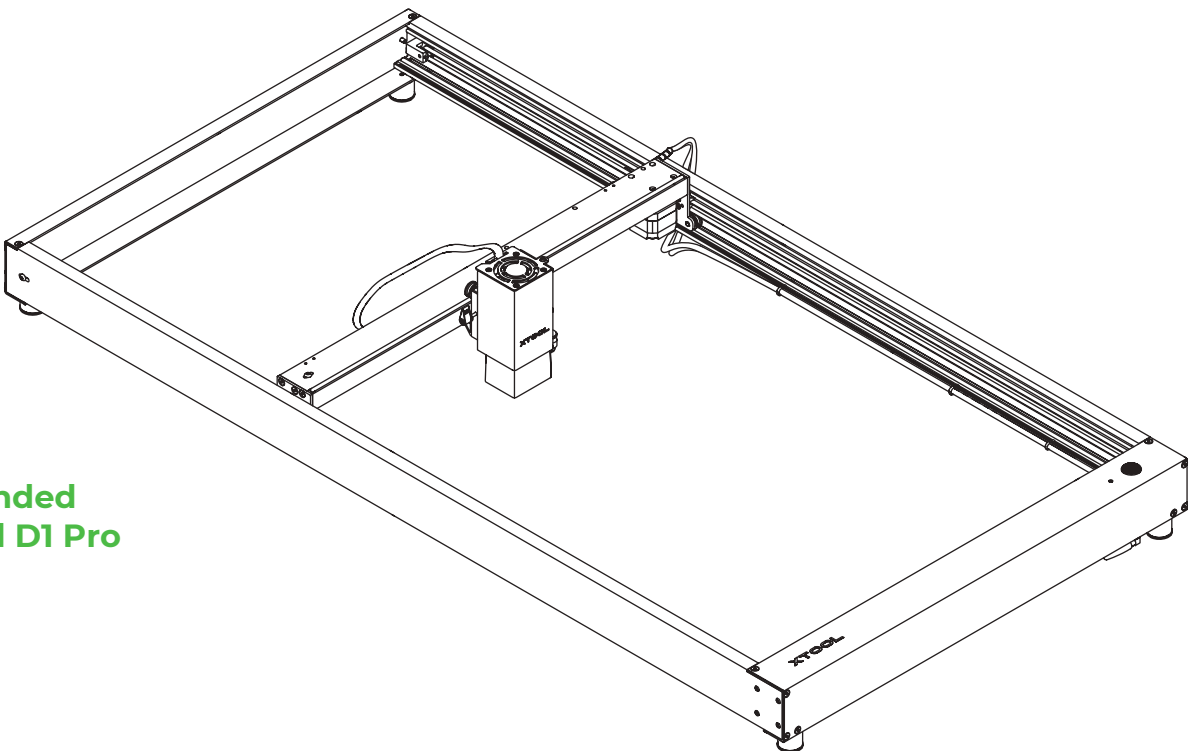




This assembly guide uses the extension of xTool D1 Pro as an example. You can extend xTool D1 in the similar way, except that you don't need to remove, fit, and then connect the limit switch com-



Extended
xTool D1



Extended
xTool D1 Pro

Unbox and check	1
Disassemble your machine	2
Replace the timing belts	14
Assemble the left plate	16
Assemble the right plate	20
Reassemble your machine	23



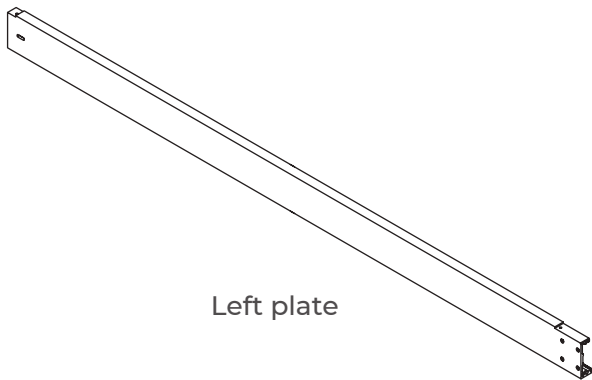
Online help



Assembly video

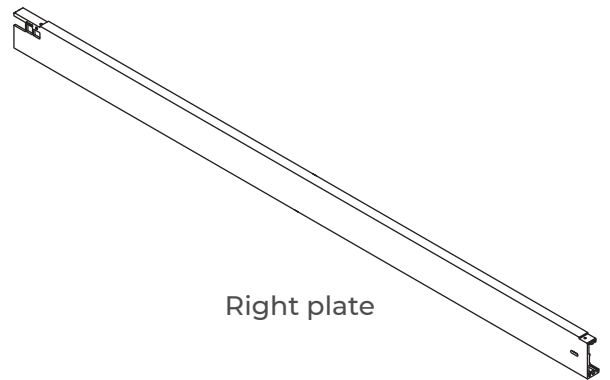
Unbox and check

F

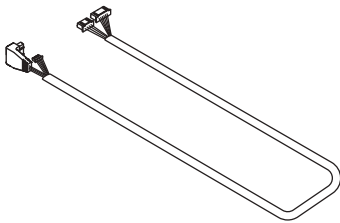


Left plate

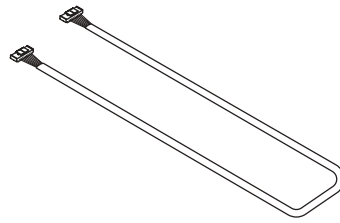
G



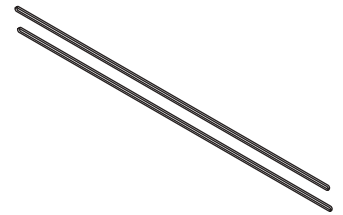
Right plate



Motor & limit switch cables



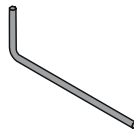
Laser module connection cable



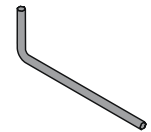
Timing belt



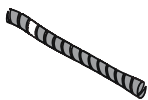
Hex key 1.5mm



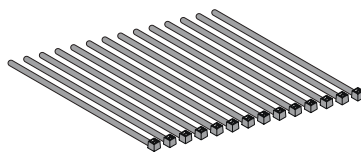
Hex key 2mm



Hex key 2.5mm



Cable wrap tube



Cable tie

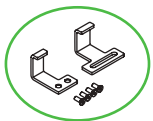
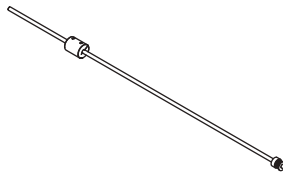
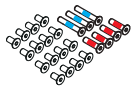
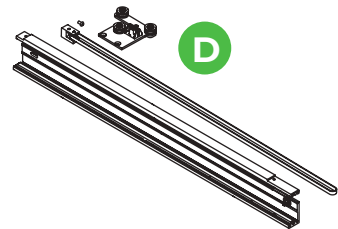
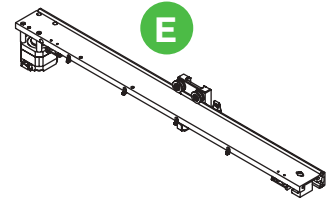
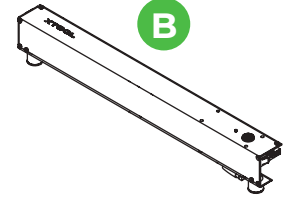
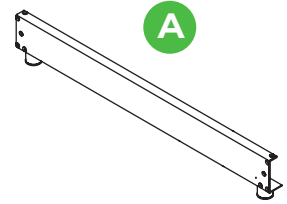
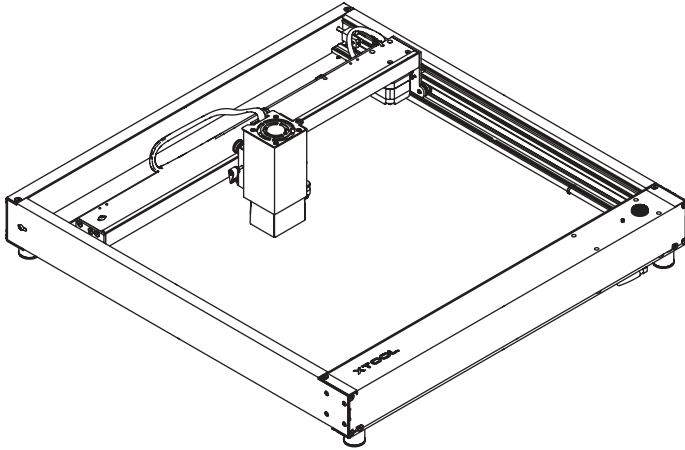


User guide card

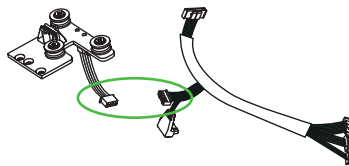
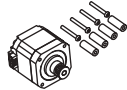


The connection cables vary according to the kit you have purchased.

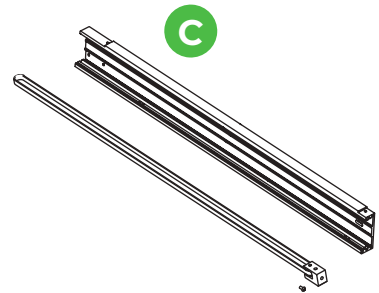
Disassemble your machine



Limit switch components

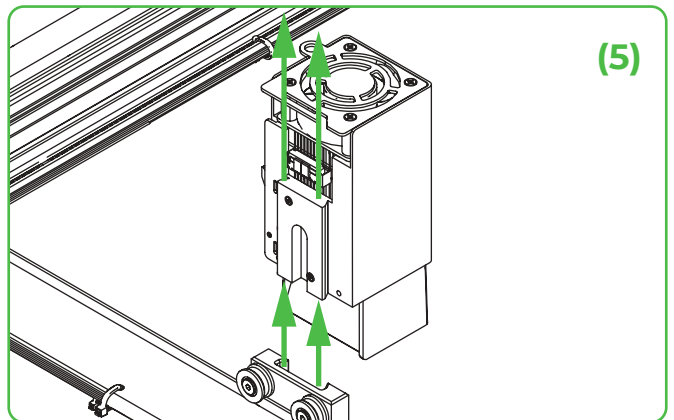
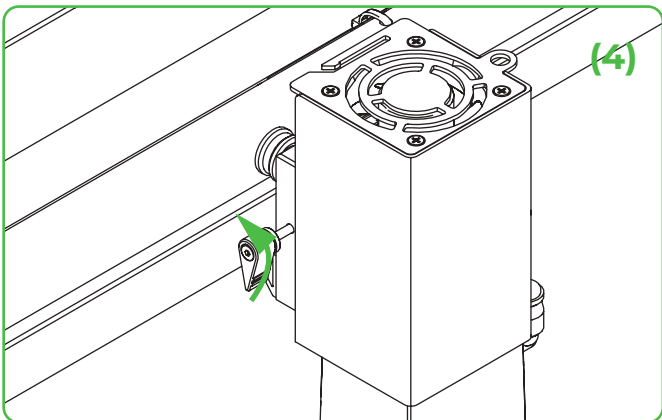
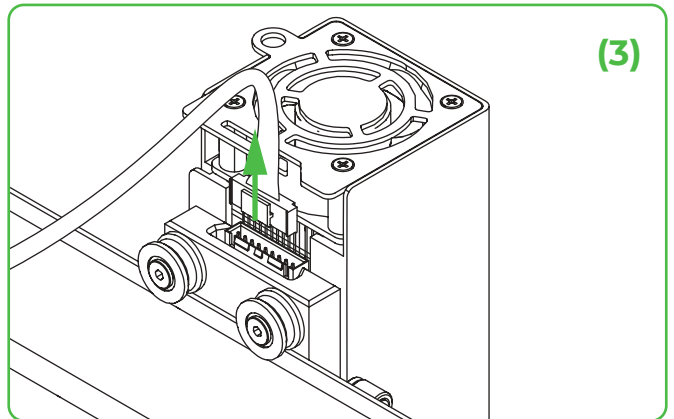
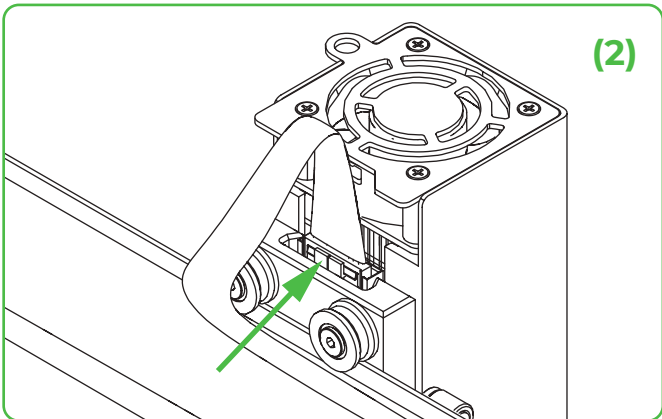
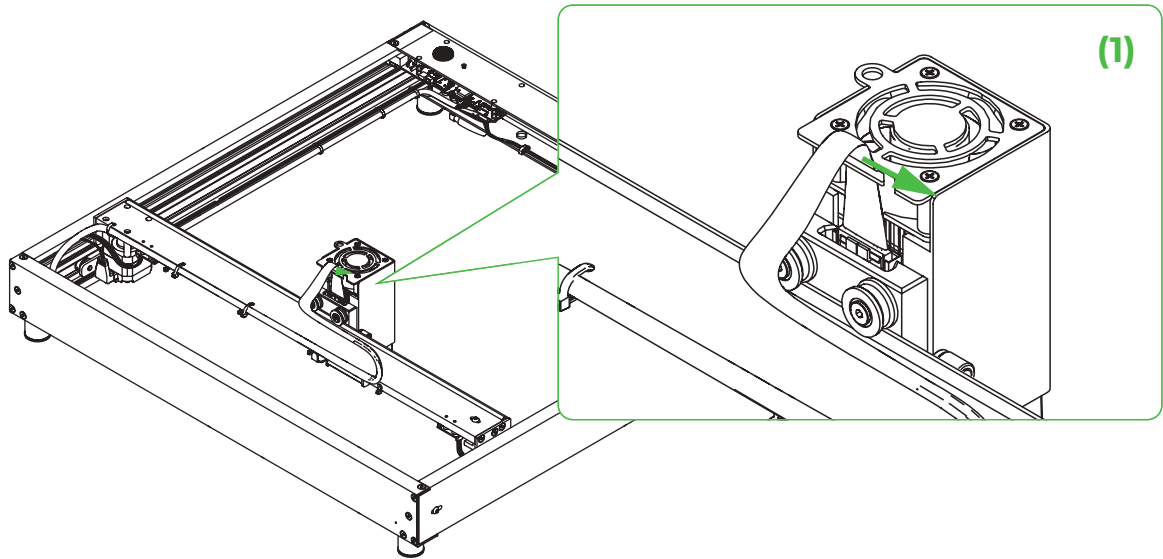


Limit switch connection cables

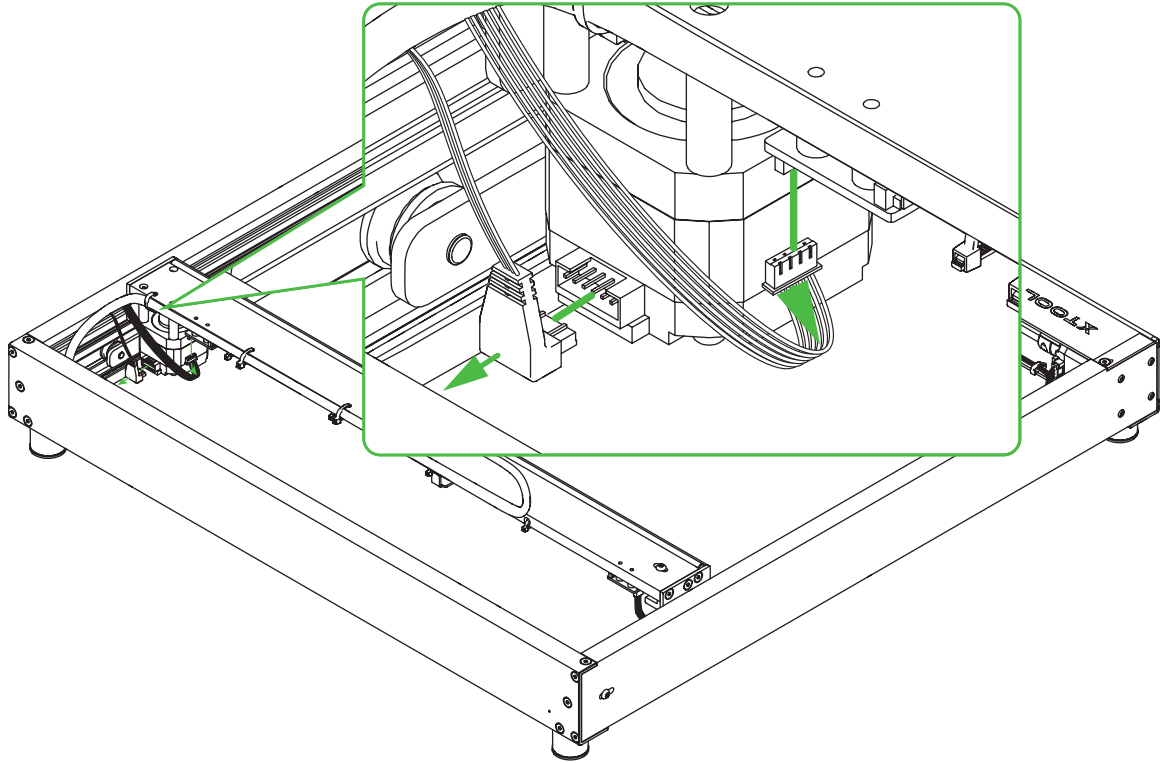


xTool D1 doesn't provide any limit switch components. If you disassemble xTool D1, you can skip the steps for removing them and unplugging the limit switch connection cables.

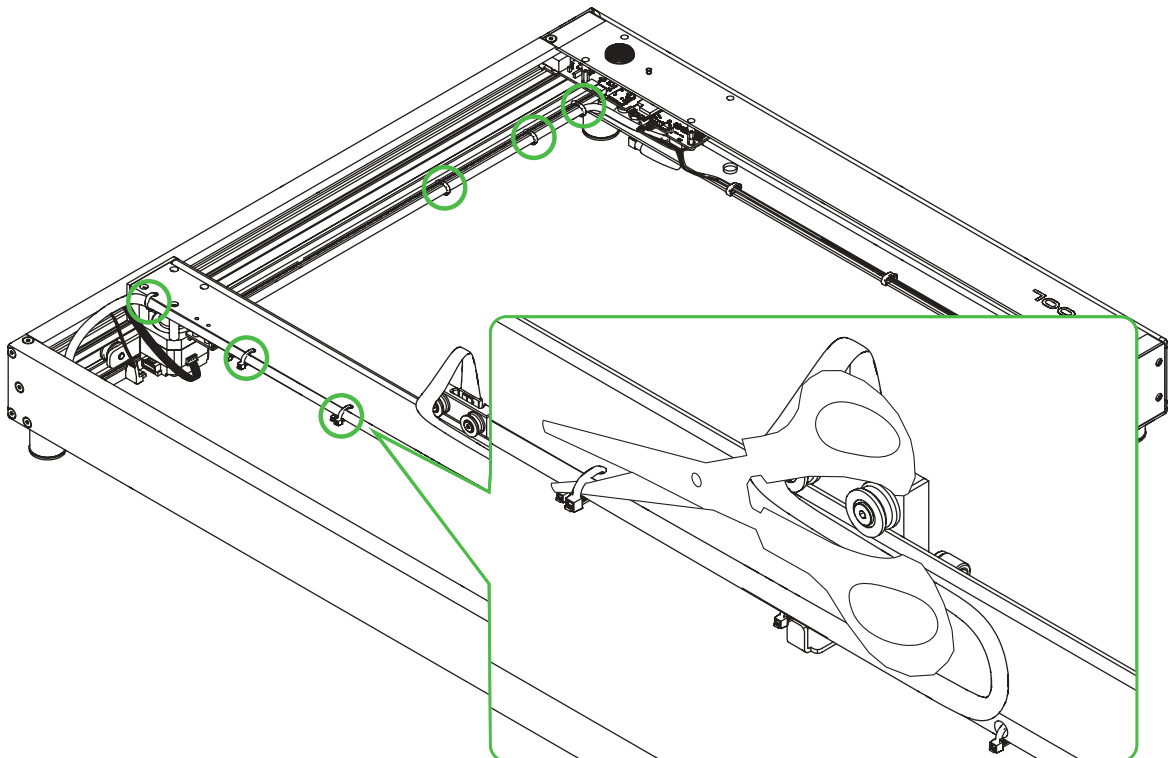
1



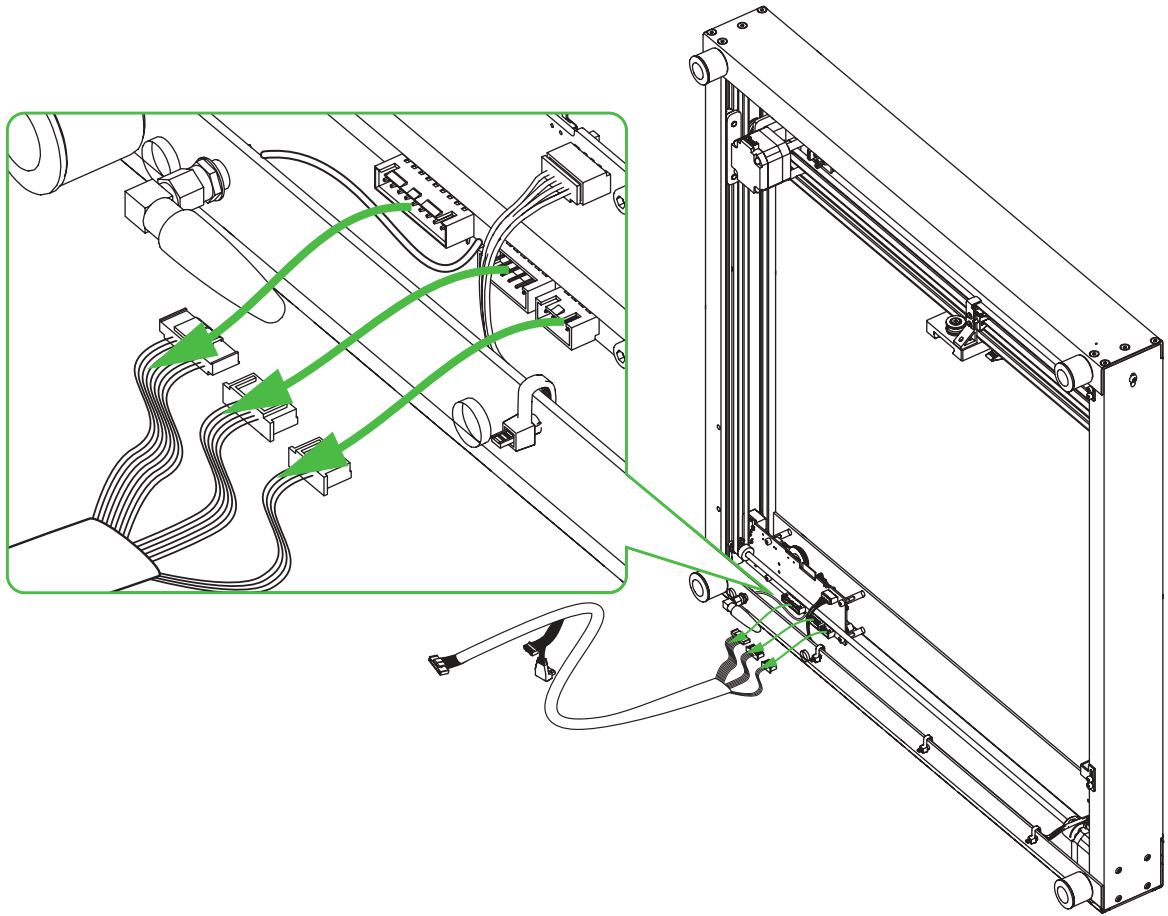
2



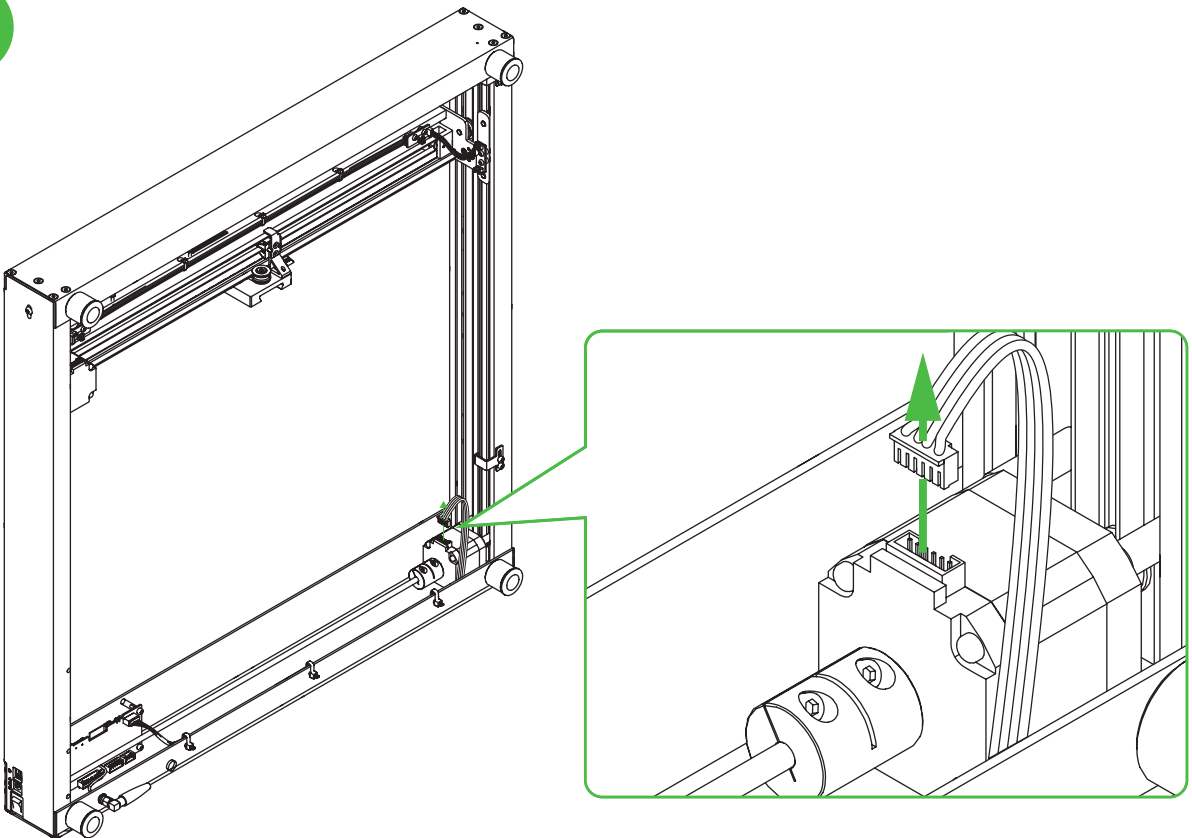
3



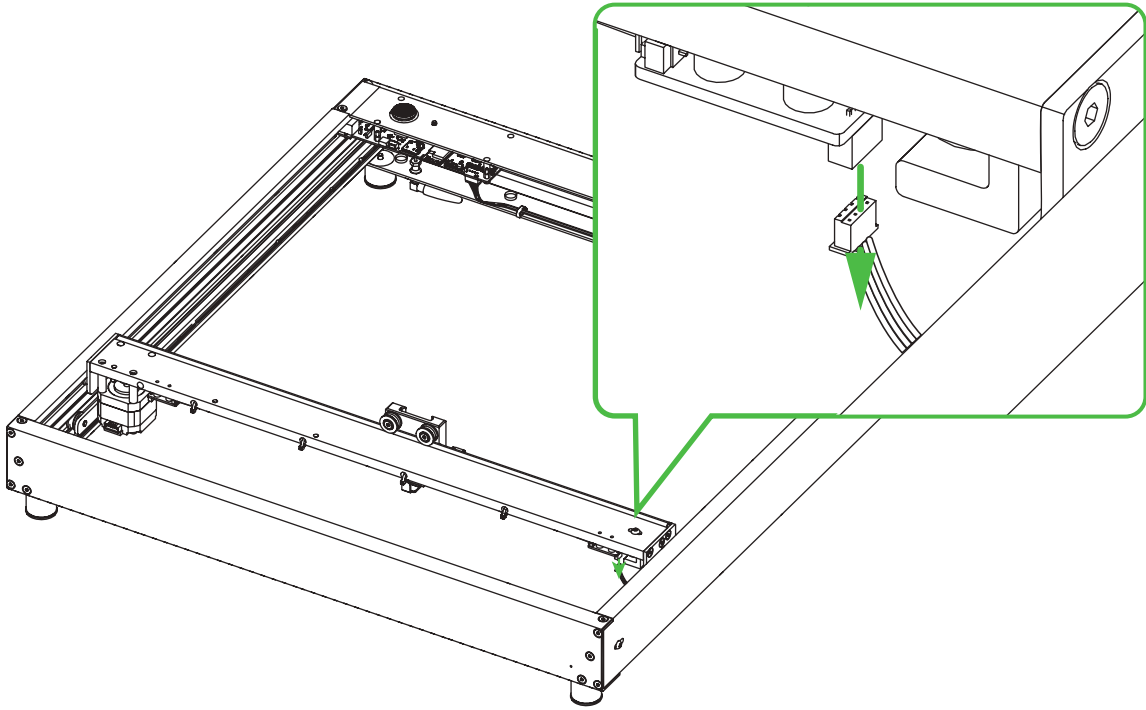
4



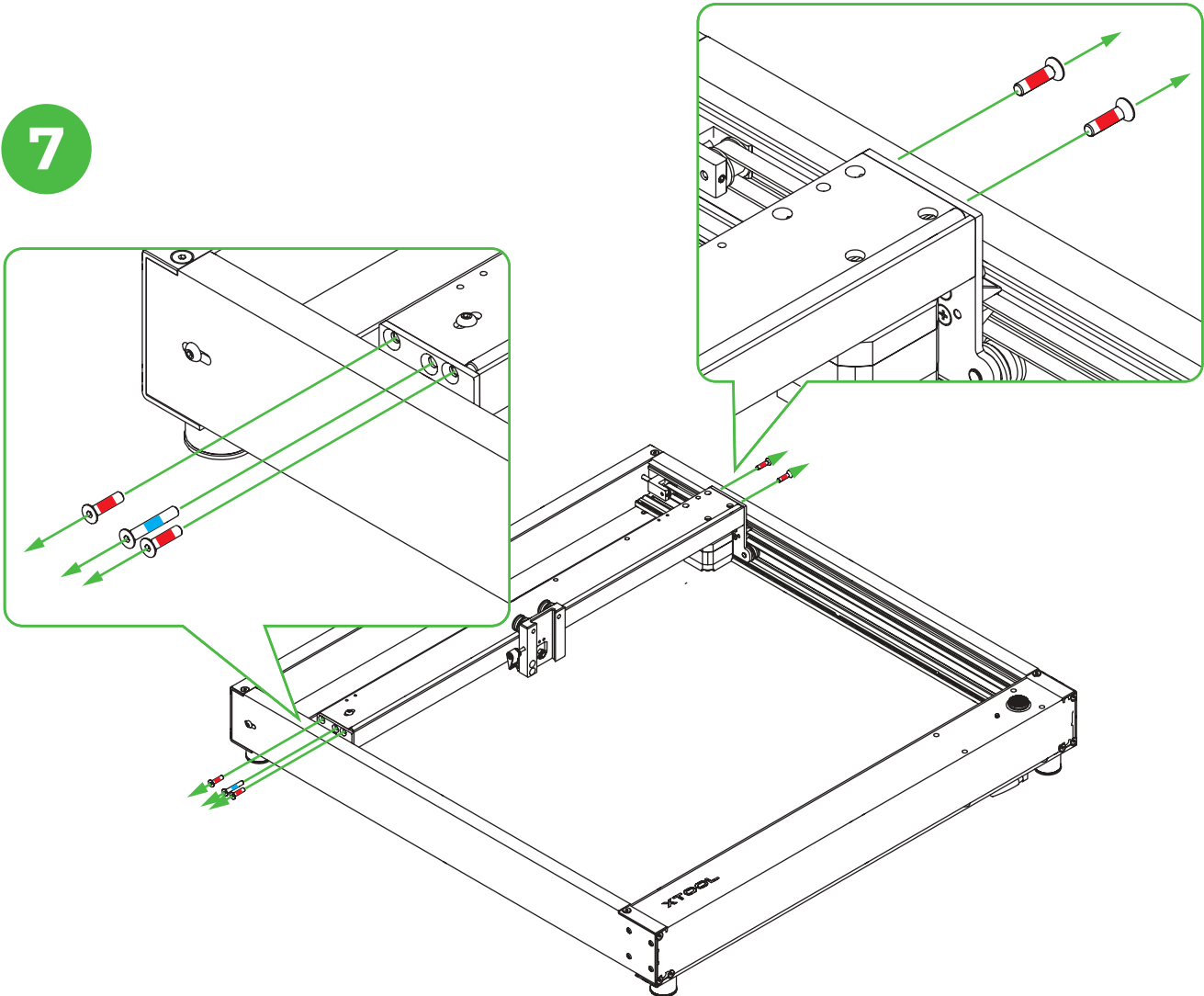
5



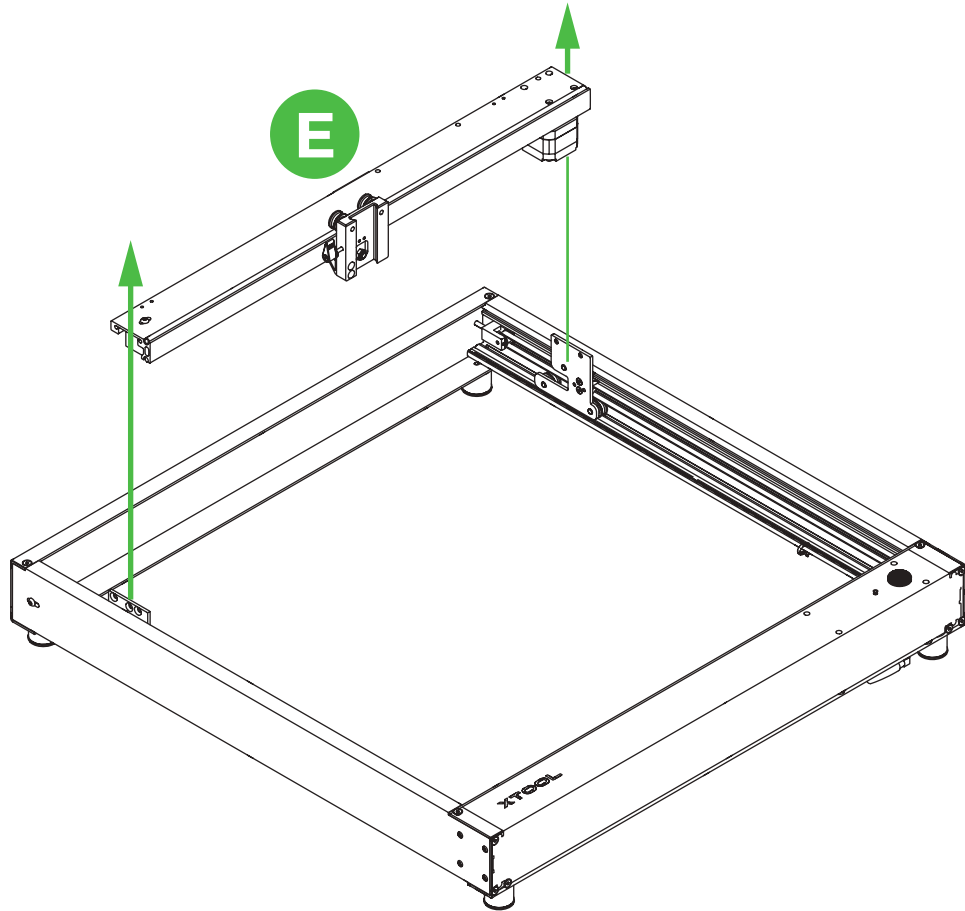
6



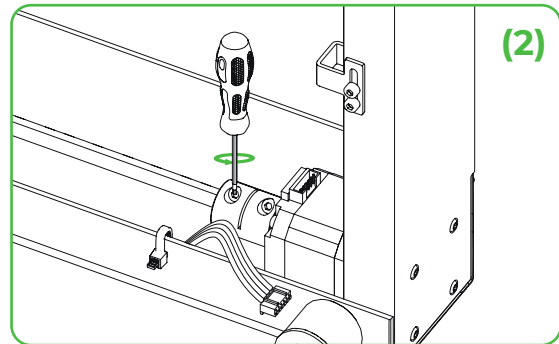
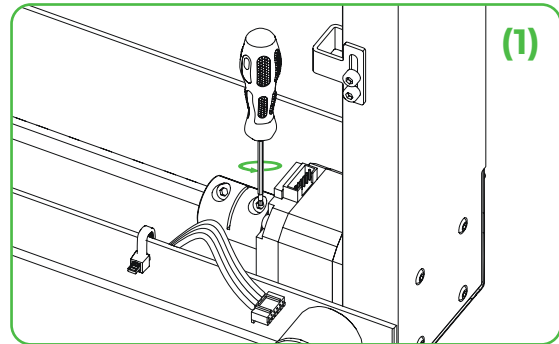
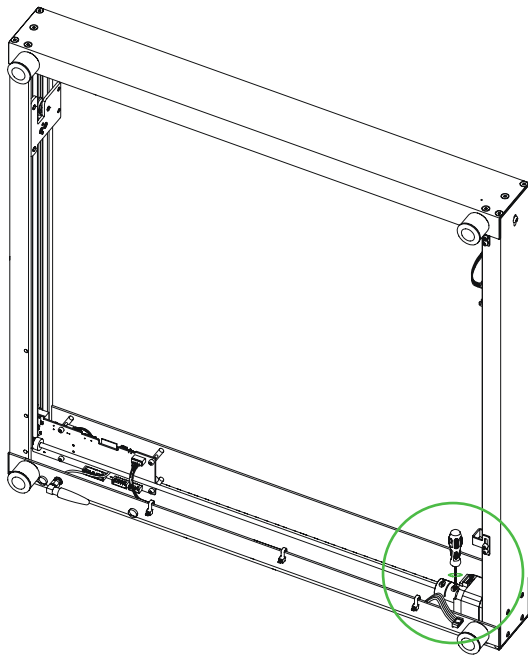
7



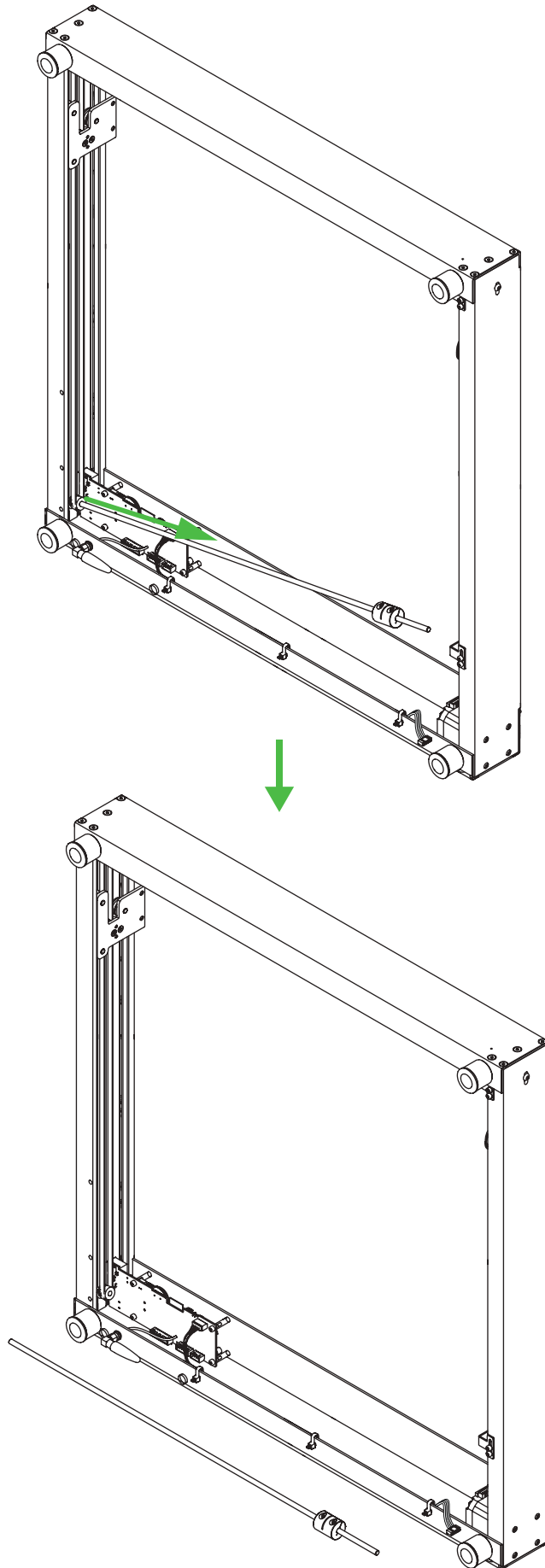
8

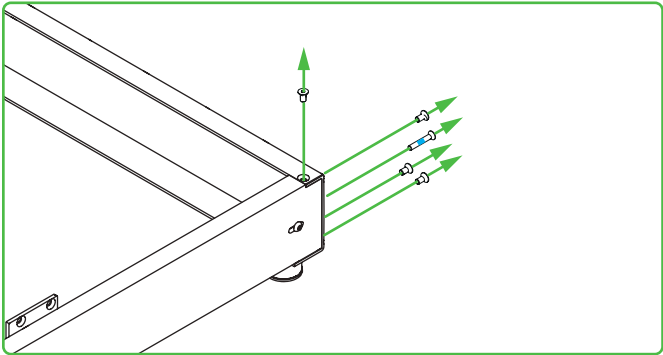
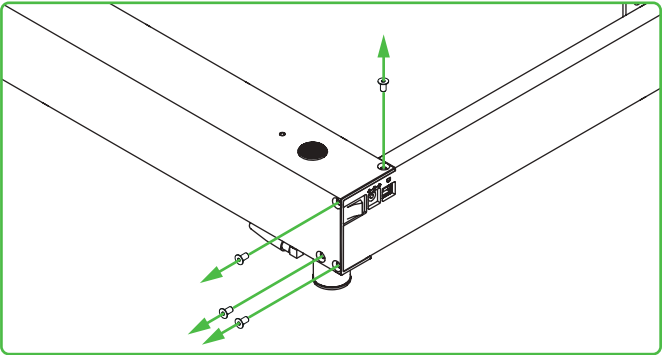
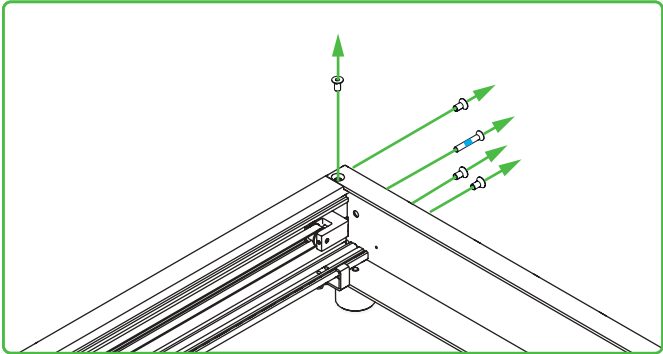
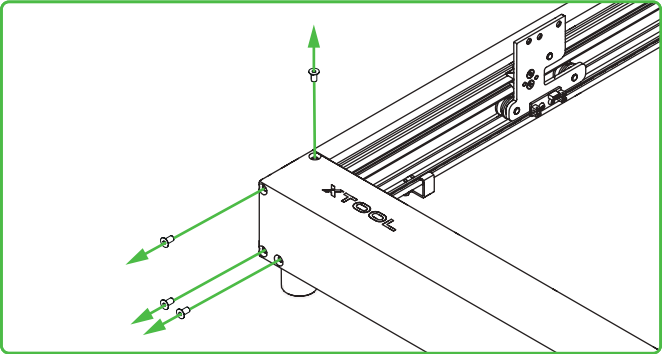
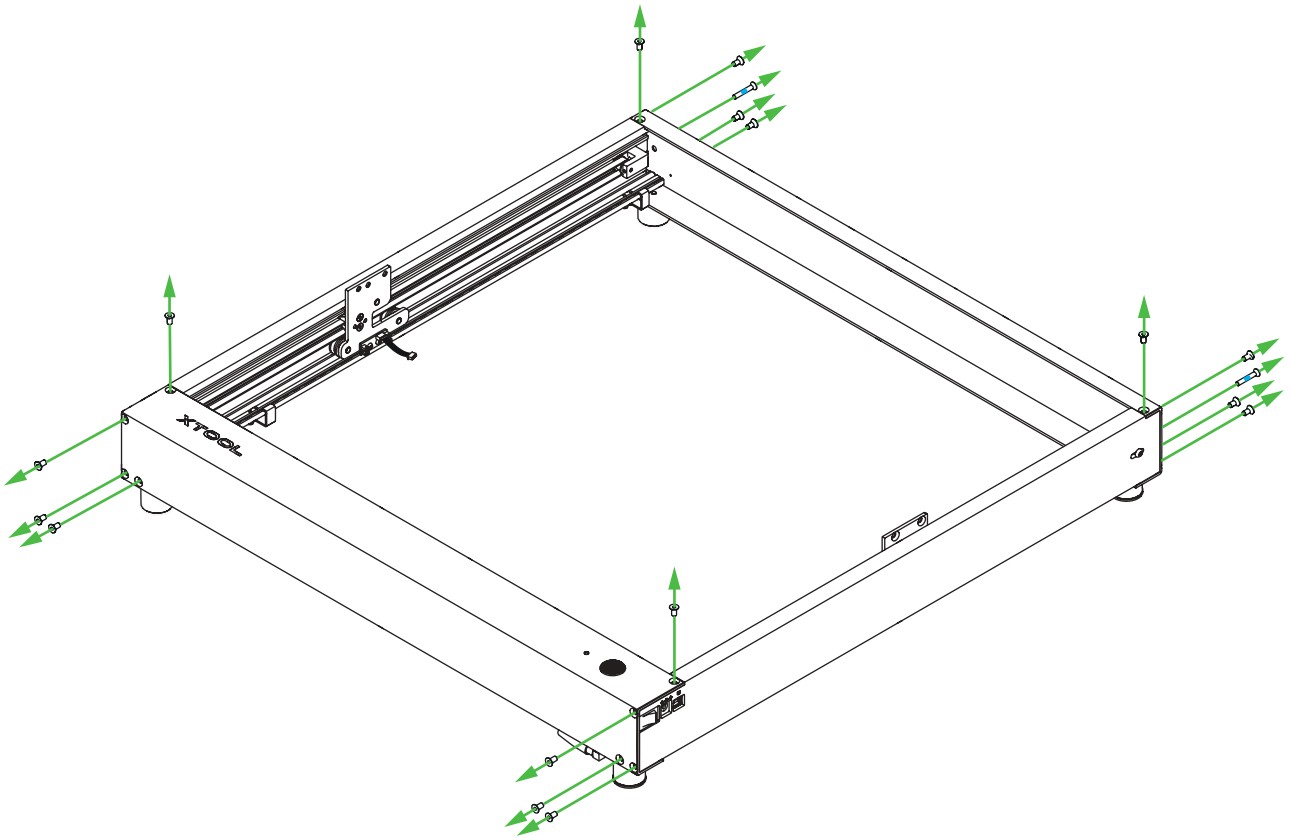


9

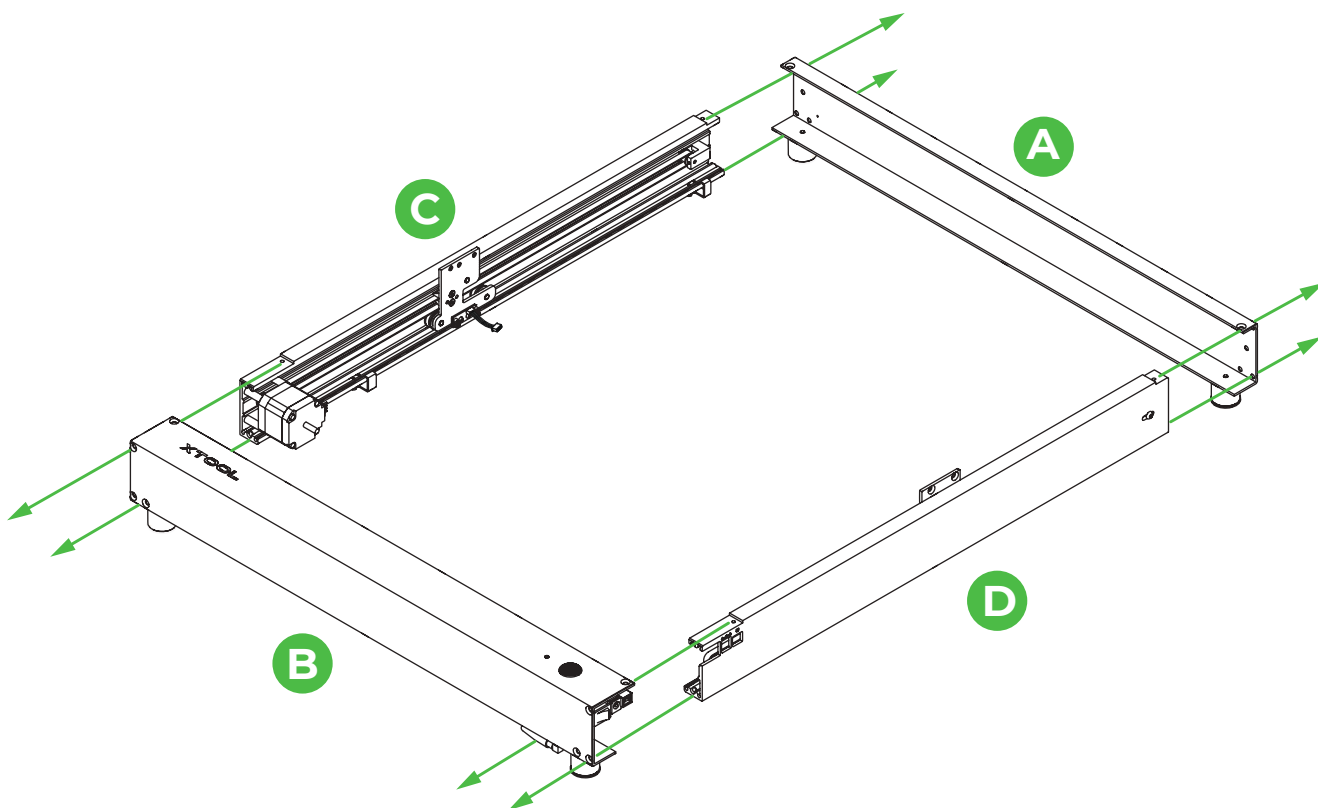


10

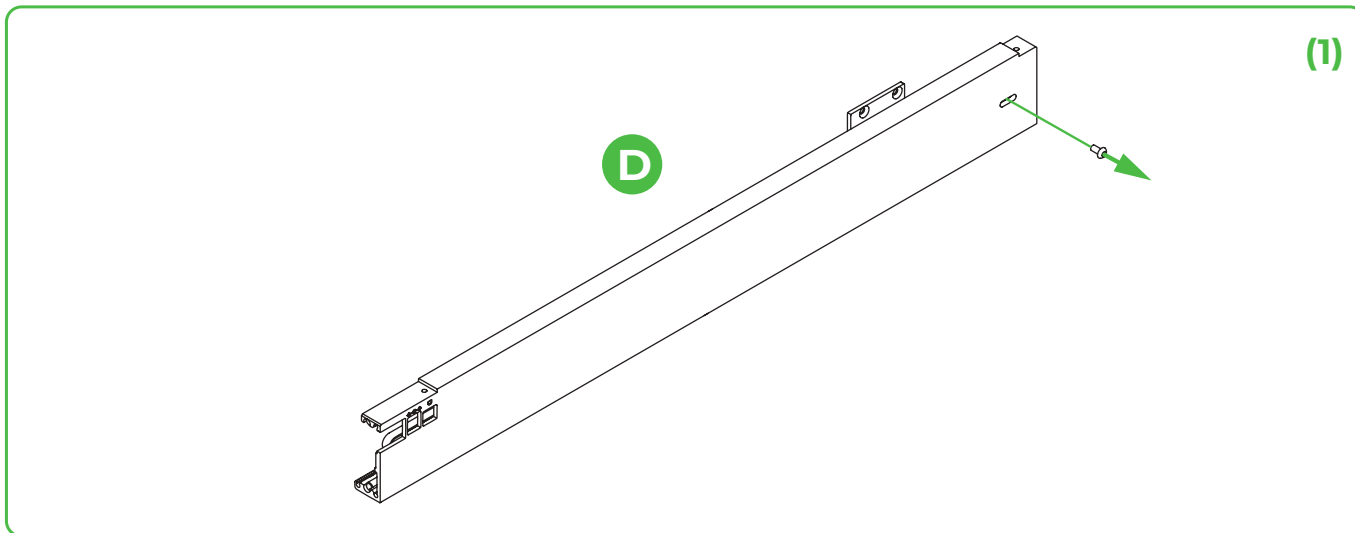




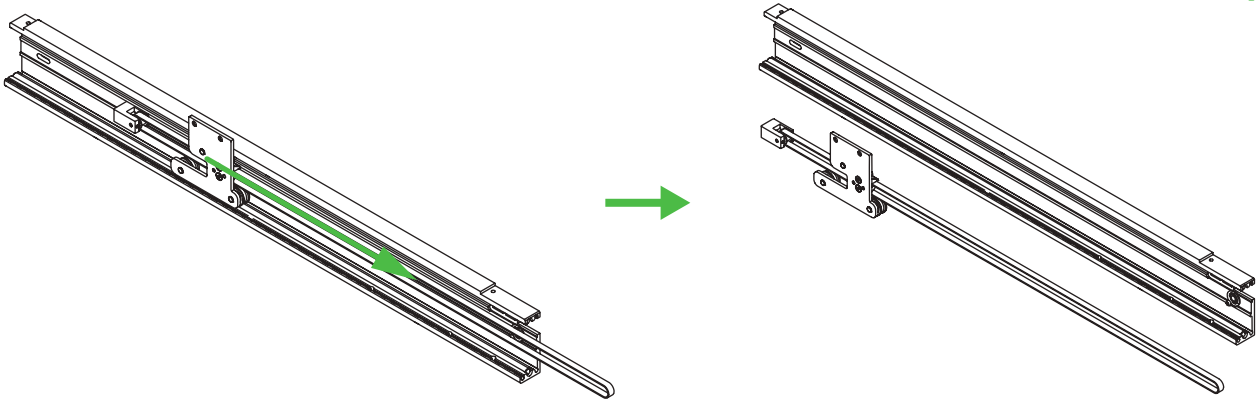
12



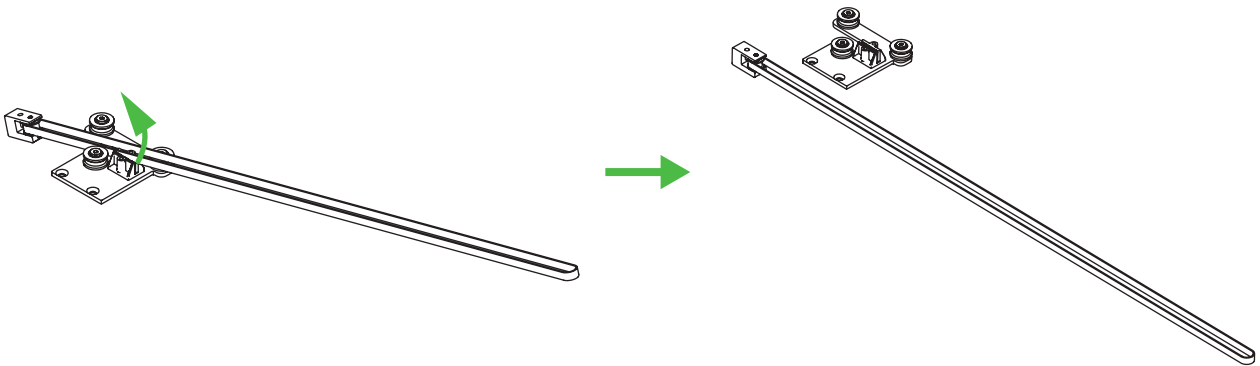
13



(2)

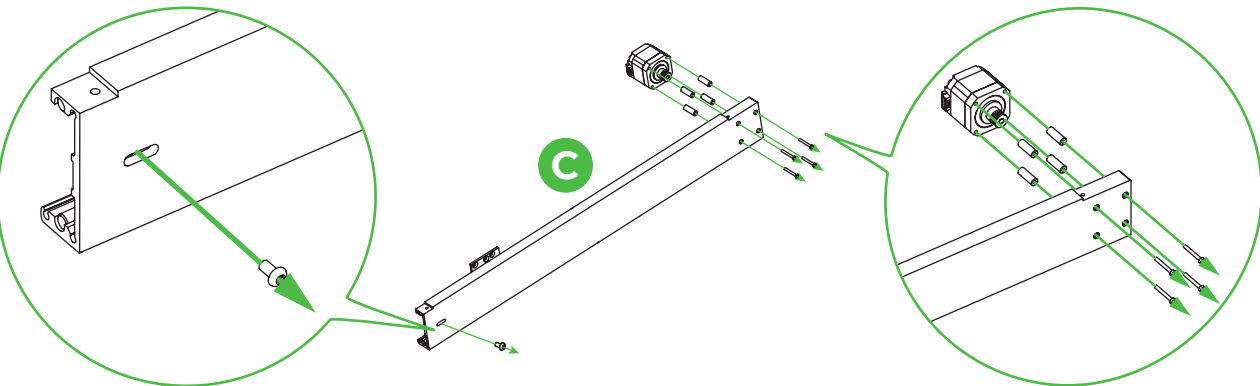


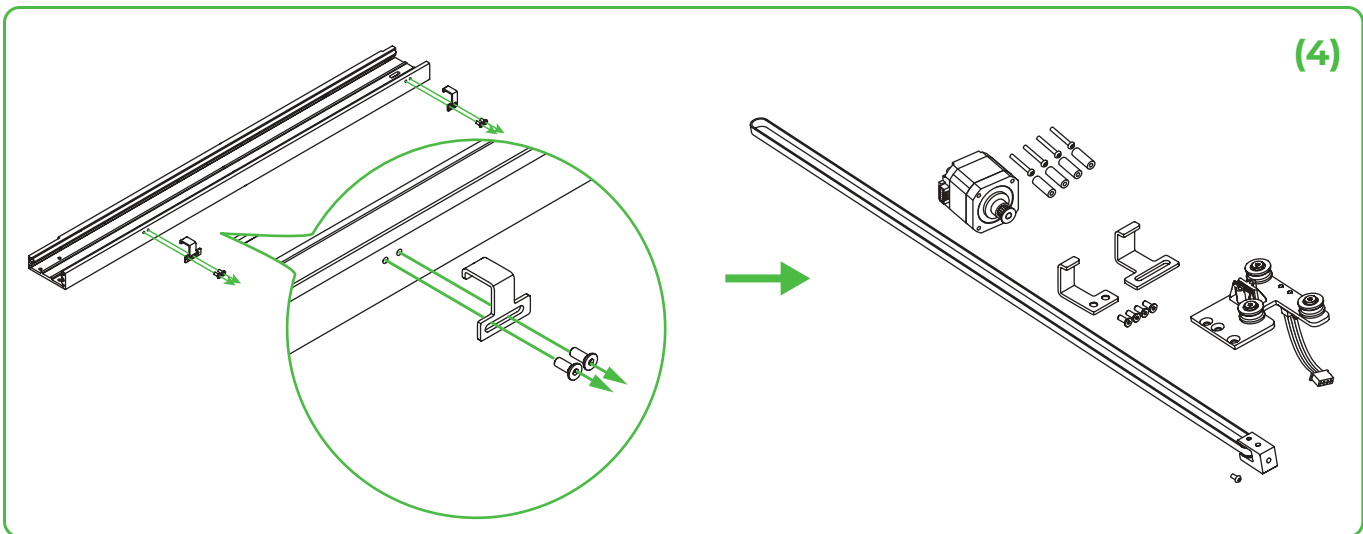
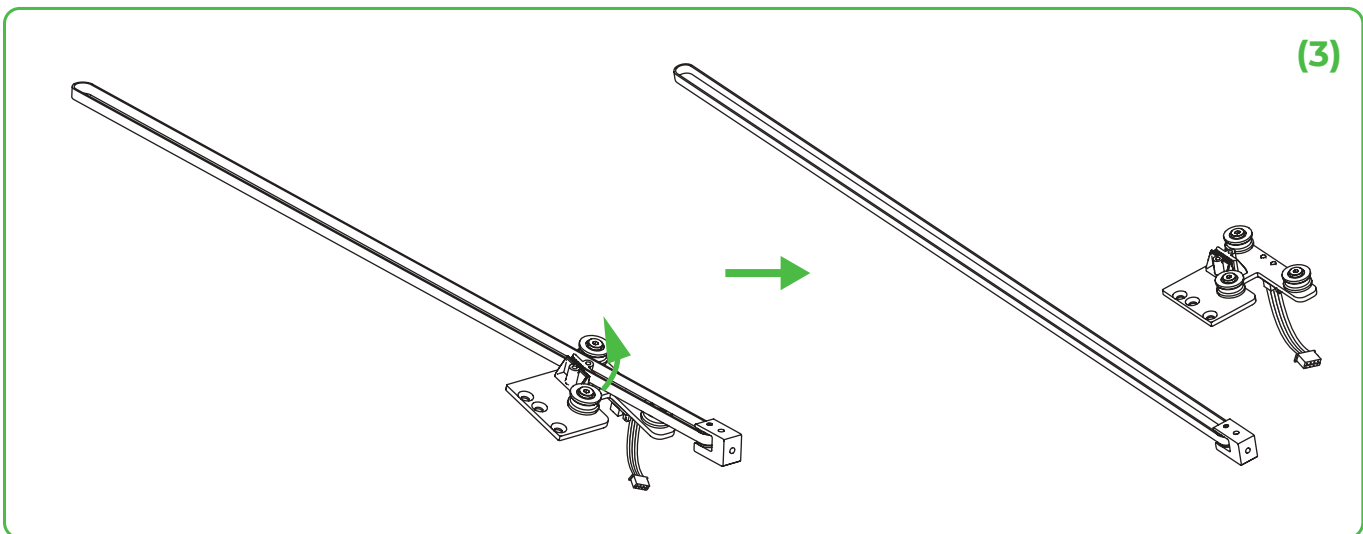
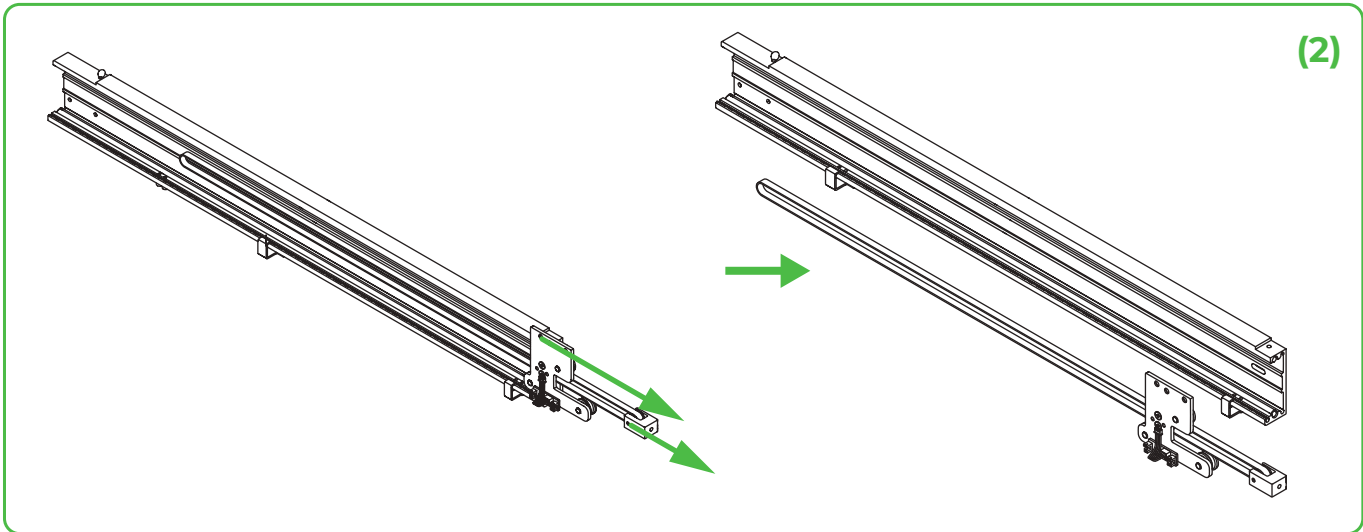
(3)



14

(1)



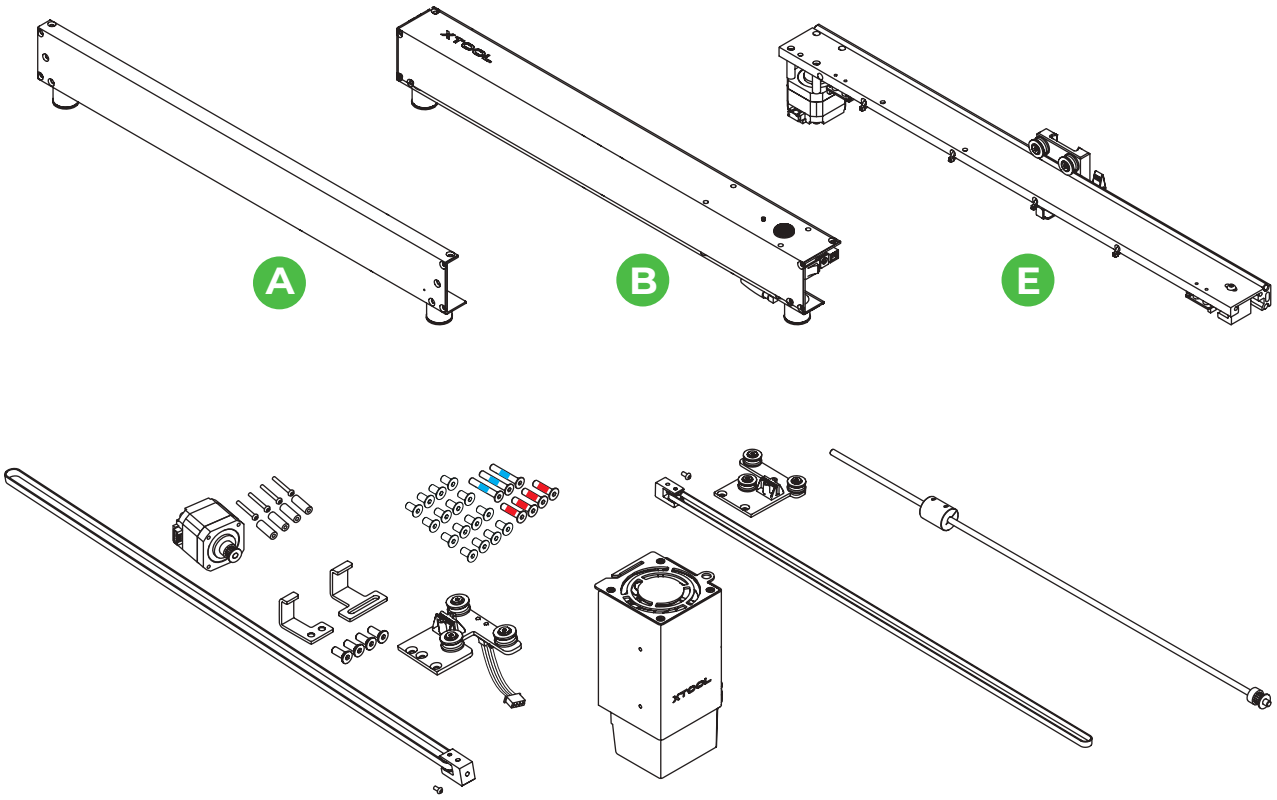


The disassembly of your machine is complete.

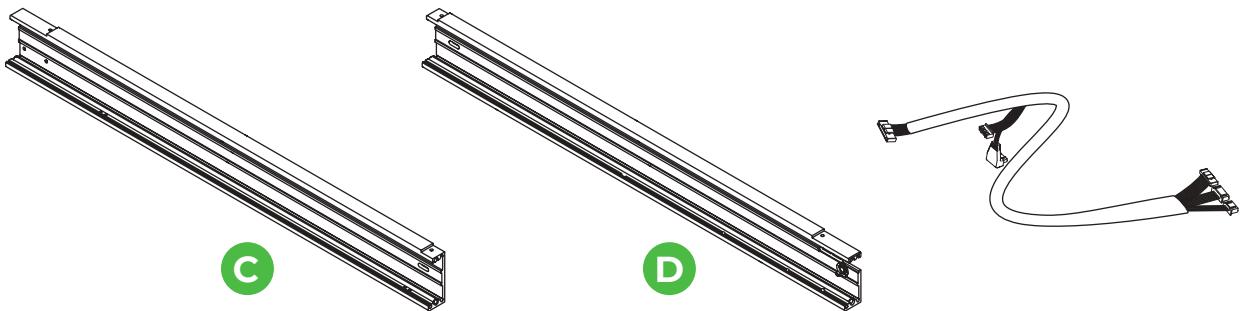


Now, gather all the parts you need to assemble the extended xTool D1 Pro, and put away those you don't need.

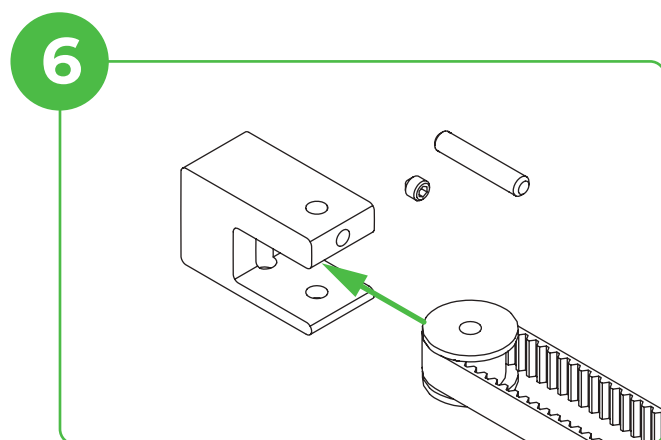
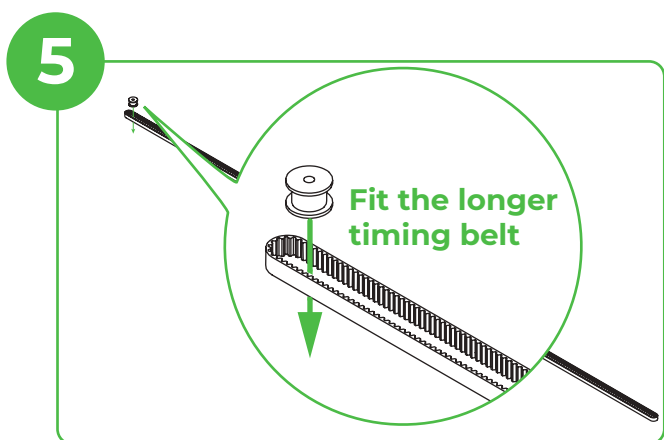
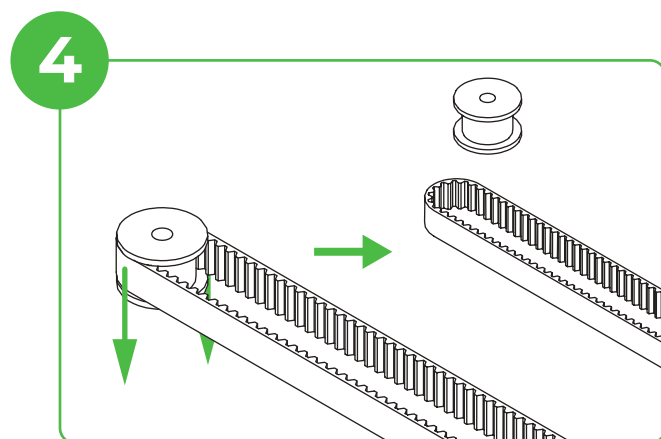
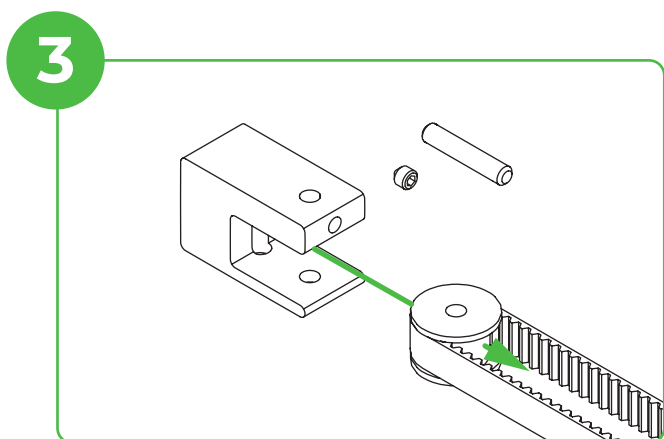
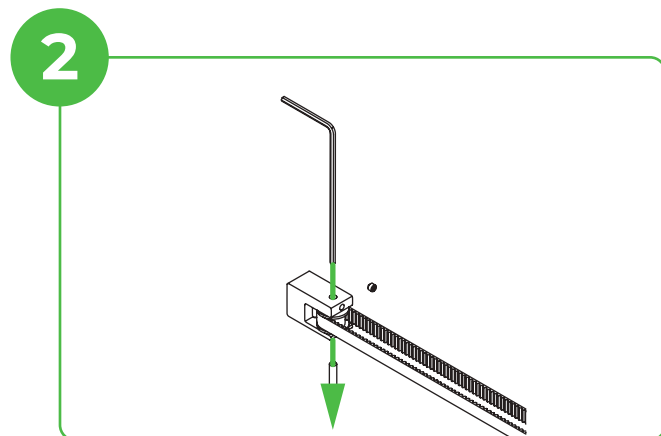
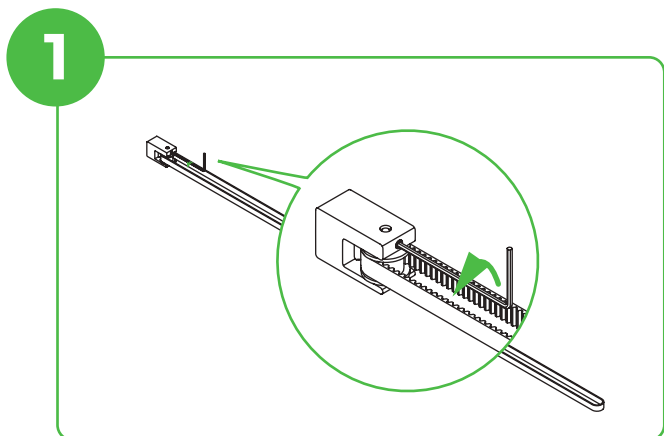
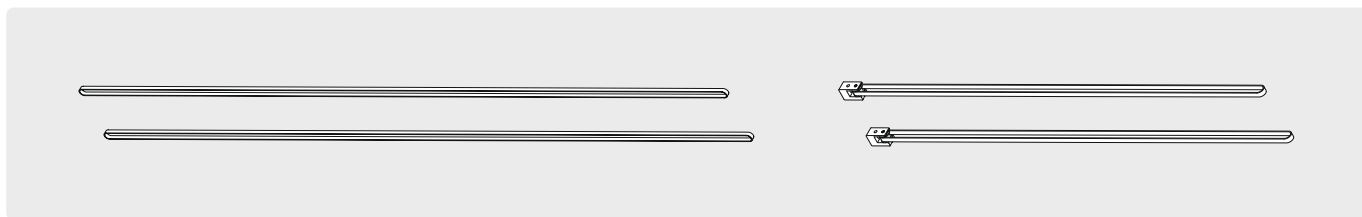
Parts to be gathered



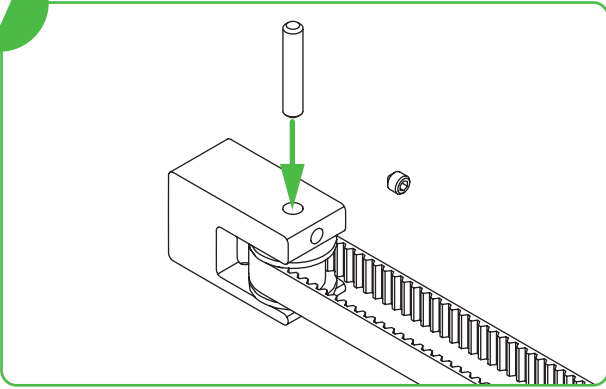
Parts to be put away



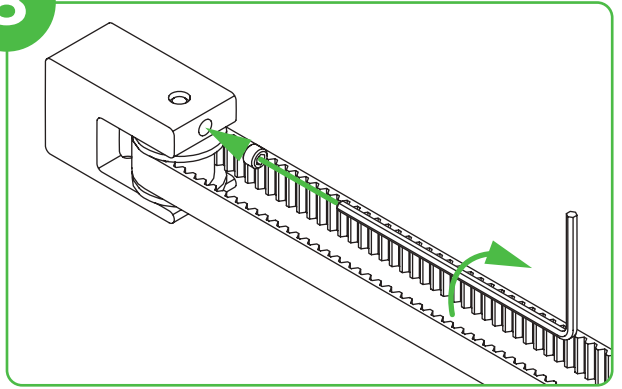
Replace the timing belts



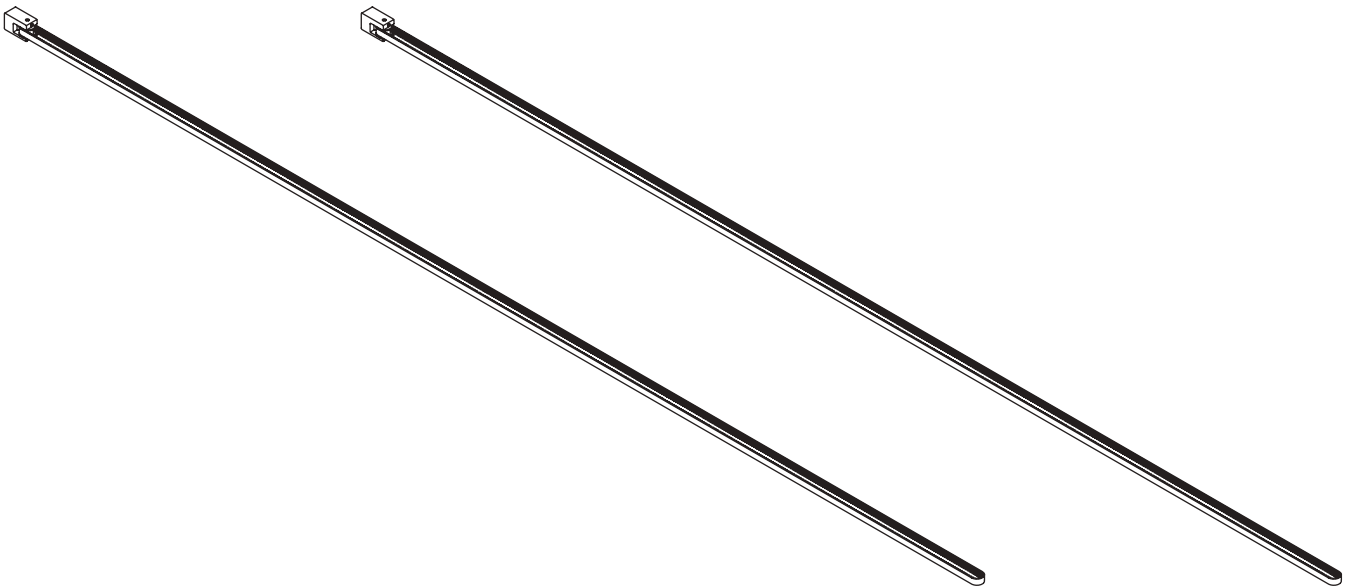
7



8

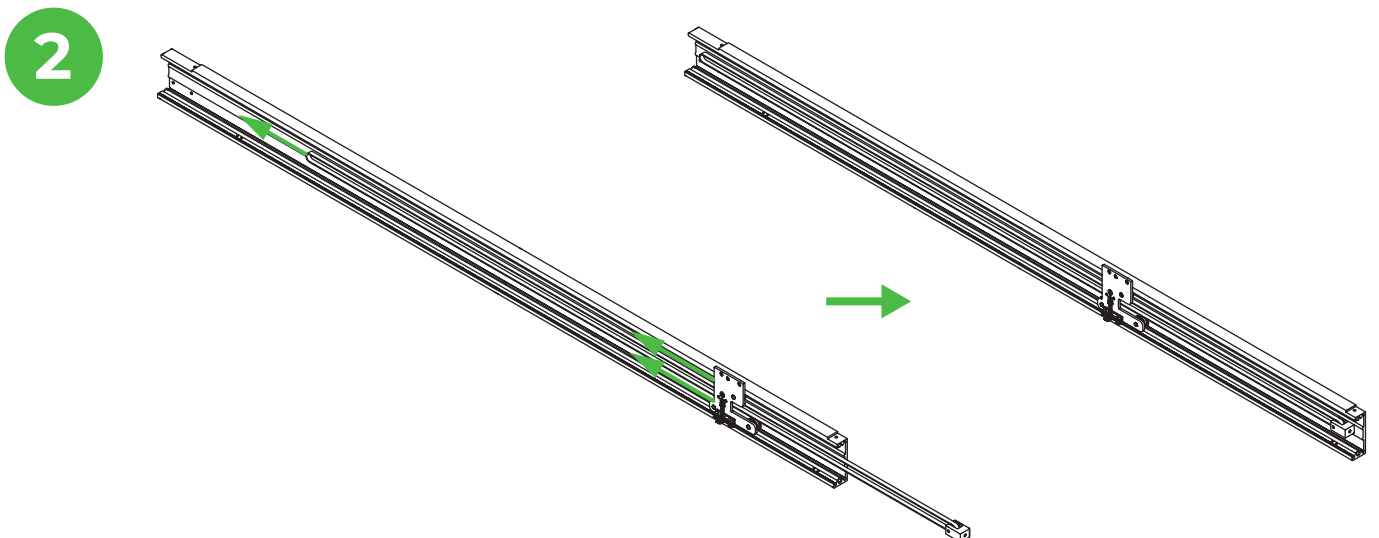
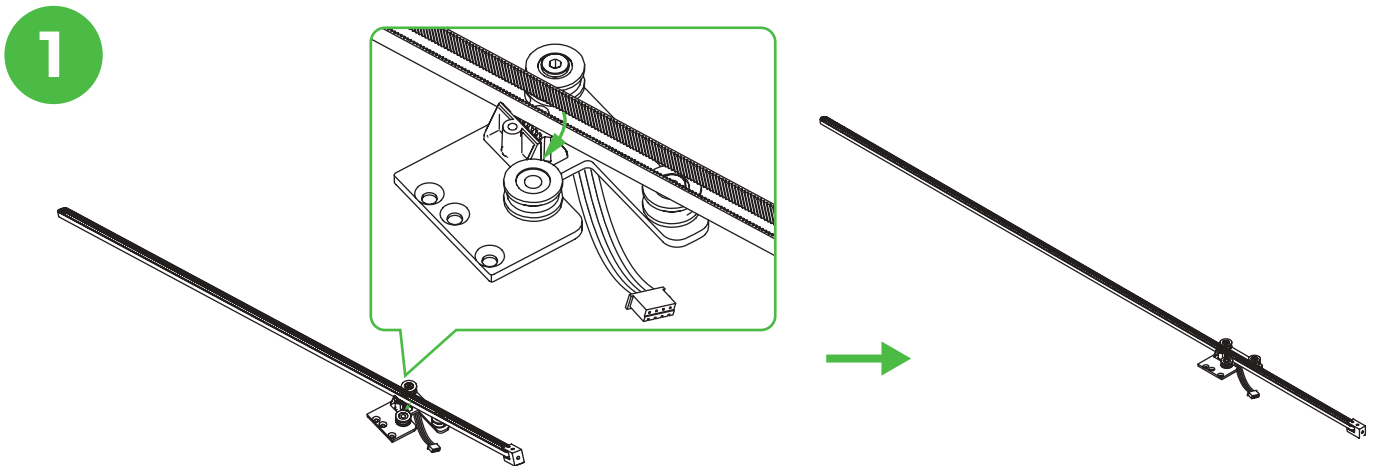
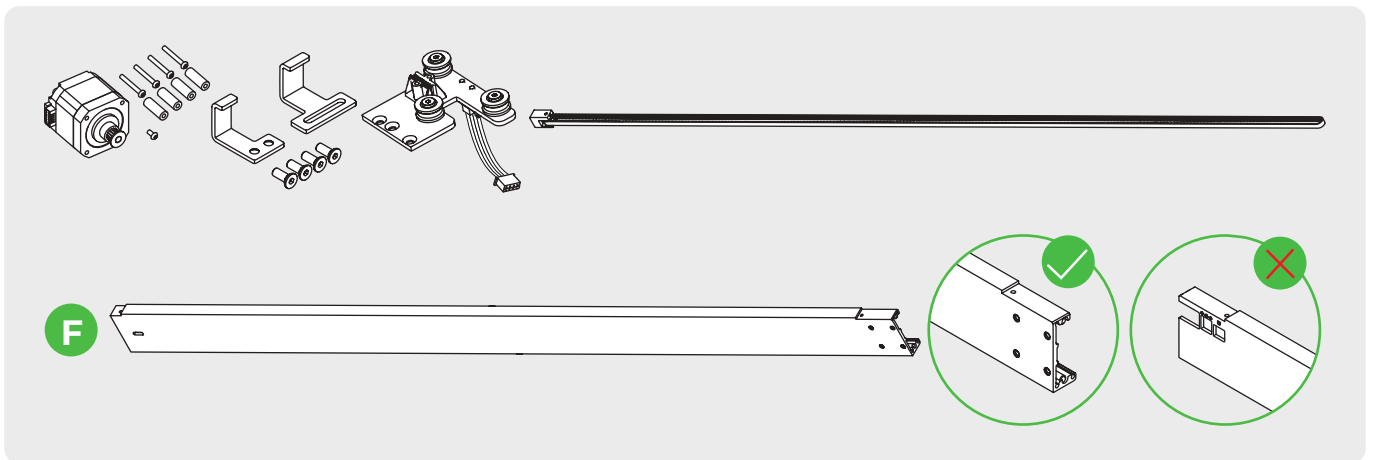


Replace the other timing belt in the same way.

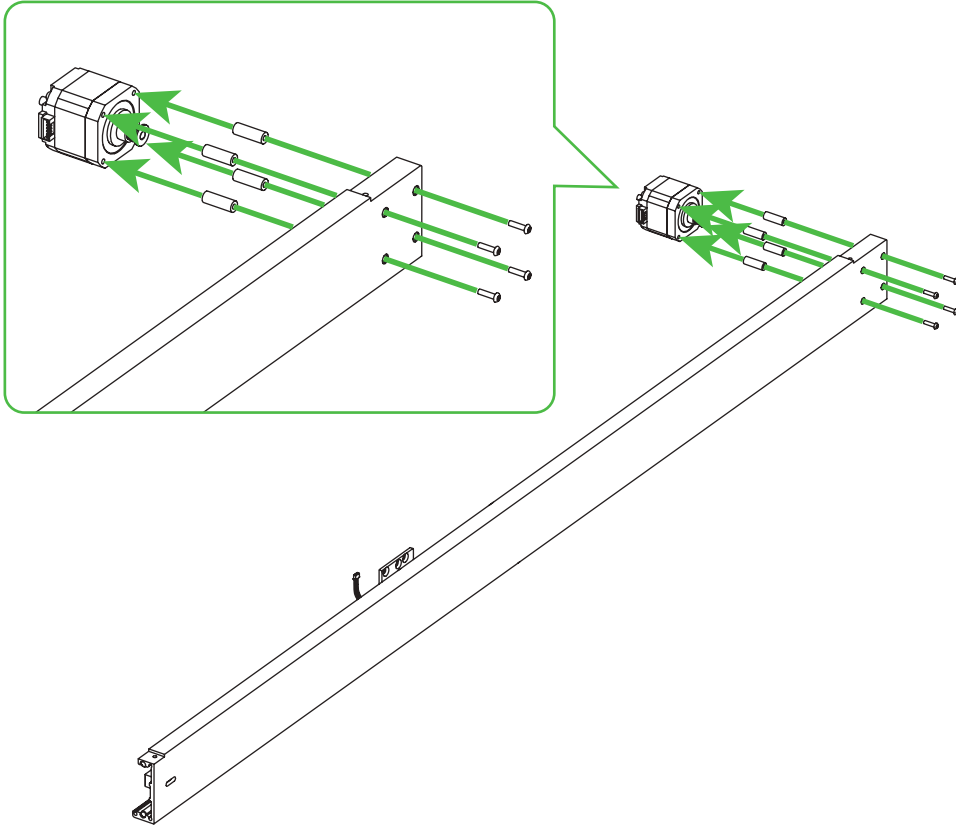


The replacement of the timing belts is complete.

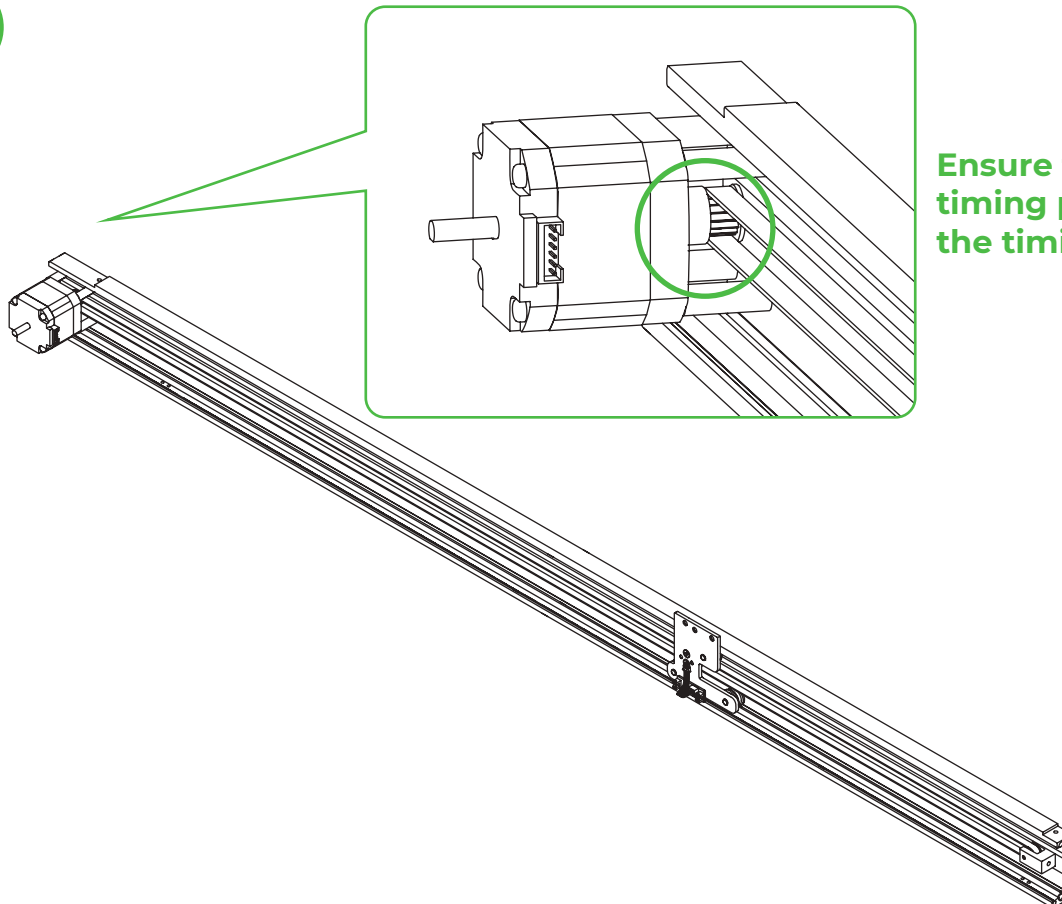
Assemble the left plate



3

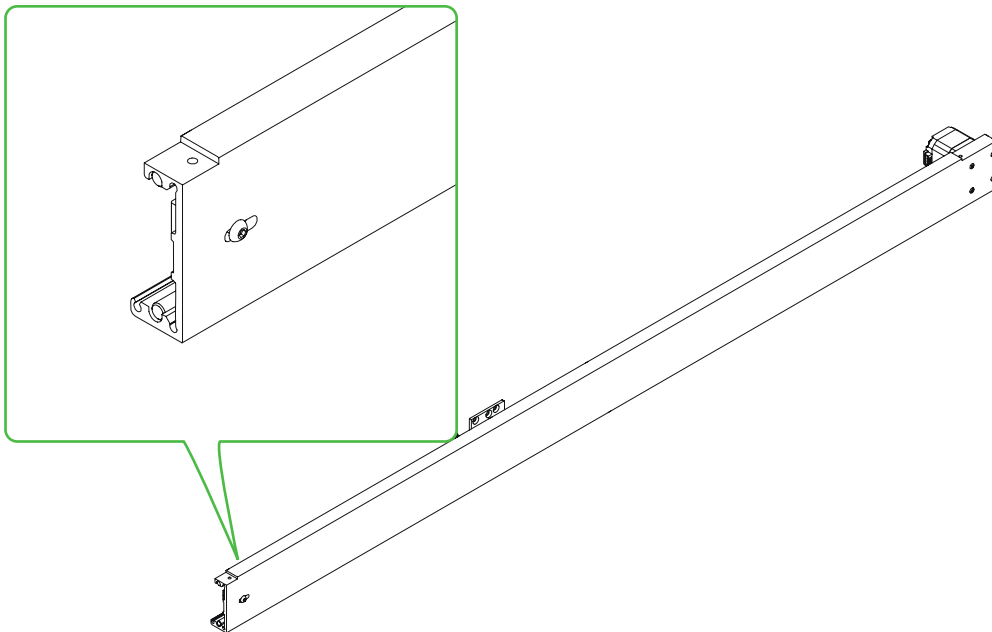
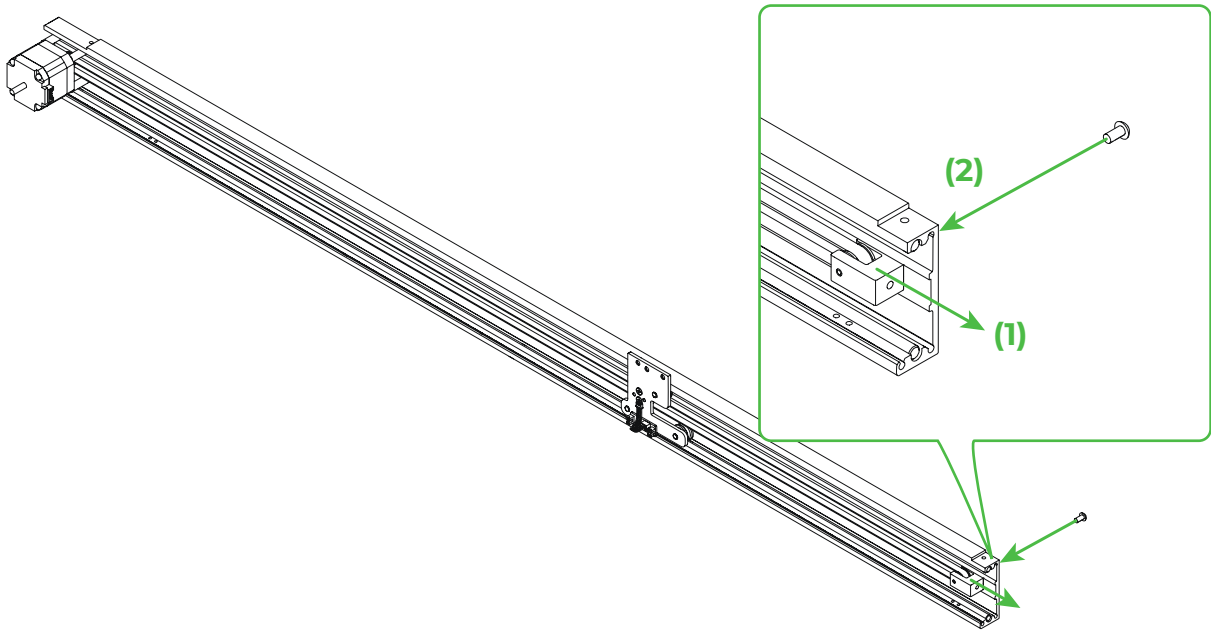


4



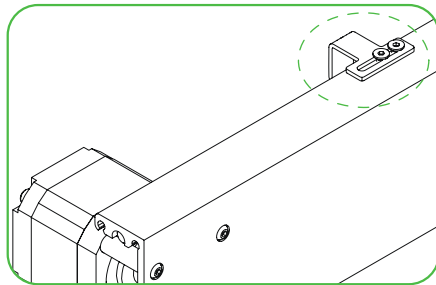
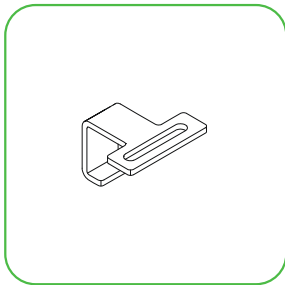
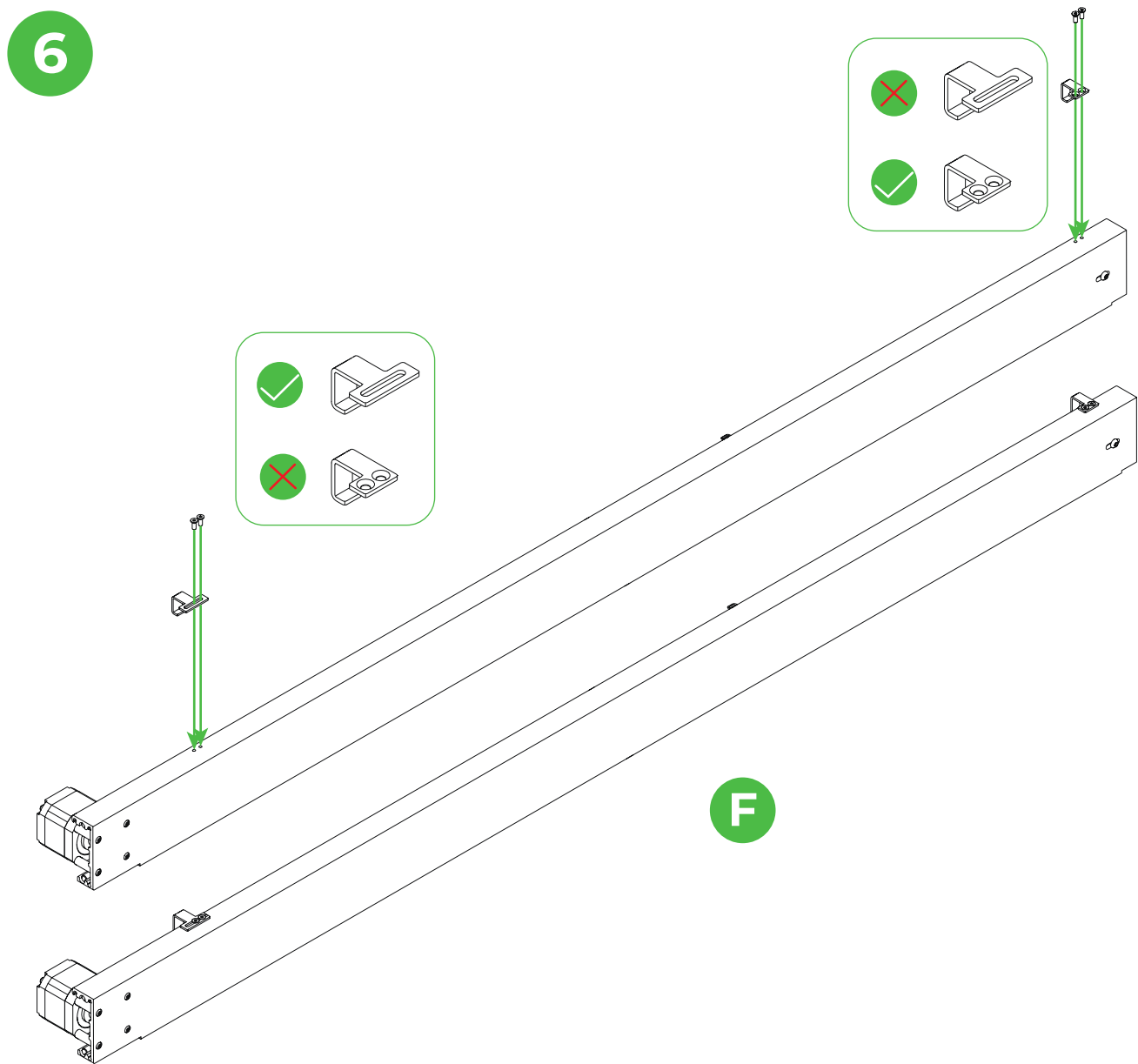
Ensure that the timing pulley holds the timing belt.

5

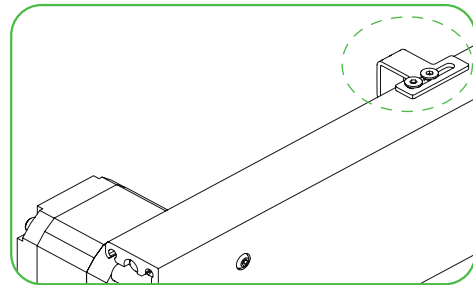


Do not fully tighten the screw, so that you can adjust the tension of the timing belt after assembling the extended xTool D1 Pro.

6



For laser modules of 5 or 10 W



For laser modules of 20 W



The position of this component needs to be adjusted according to the laser module you use.



The disassembly of the left plate is complete.